



WASTE OIL UNITS

***Design & performance
top of the line***

***Clean & safe handling
100 l tank***



***Six models available
for the most demanding
needs***



Discharge by wall mounted Pump

- ✓ **M**obile waste Oil drainers used for gravity and suction collection of motor oil and gear oil as well as other automotive, non-aggressive fluids.
- ✓ **D**rainers can be used under vehicle lifts or inside lubrications pits.
- ✓ **A**ll units include a 20 L collection bowl, with oversized extension and an antisplash mesh.
- ✓ **I**ncludes hydraulic male coupler, for easy connection of discharge pump part no. **317-44**.



DO NOT USE WITH INFLAMMABLE FLUIDS.



Part no : 318-70
Basic P100

Part no : 318-72
De-Luxe P100

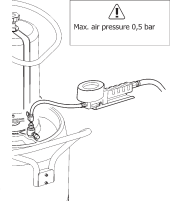
Part no : 318-71
Combi P100

Discharge by wall mounted Pump

Model	Basic P100	Combi P100	De-Luxe P100
Part No	318-70	318-71	318-72
Tank L.	100L	100L	100L
Inspection tank L.	-	-	8L
Suction probes	No	Yes	Yes
Suction capacity probes			
ø5mm at 80°C, SAE 30	-	2,0l/min.	2,0l/min.
ø8mm at 80°C, SAE 30	-	4,1l/min.	4,1l/min.
MB, VAG, PSA & BMW adapters	-	7,0l/min.	7,0l/min.
Weight	43kg	46kg	49kg
Packing volume	2 boxes: 0,38 m3	2 boxes: 0,38 m3	3 boxes: 0,42 m3

Discharge by air pressure

- ✓ **M**obile waste Oil drainers used for gravity and suction collection of motor oil and gear oil as well as other automotive, non-aggressive fluids.
- ✓ **D**rainers can be used under vehicle lifts or inside lubrications pits.
- ✓ **A**ll units include a 20 L collection bowl, with oversized extension and an antisplash mesh.
- ✓ **D**ischarges is carried out through a 2m hose pressuring the unit at 0,5 bar using a tyre inflator.



DO NOT USE WITH INFLAMMABLE FLUIDS.



Discharge by air pressure

Model	Basic A100	Combi A100	De-Luxe A100
Part No	318-75	318-76	318-77
Tank L.	100L	100L	100L
Inspection tank L.	-	-	8L
Max. discharge pressure	0,5 bar*	0,5 bar*	0,5 bar*
Suction probes	No	Yes	Yes
<u>Suction capacity probes</u>			
ø5mm at 80°C, SAE 30	-	2,0l/min.	2,0l/min.
ø8mm at 80°C, SAE 30	-	4,1l/min.	4,1l/min.
MB, VAG, PSA & BMW adapters	-	7,0l/min.	7,0l/min.
Weight	43kg	46kg	49kg
Packing volume	2 boxes: 0,38 m3	2 boxes: 0,38 m3	3 boxes: 0,42 m3

* The unit must be pressurized using a tyre inflator.



318-series Features & Benefits

Low noise vacuum pump with gauge



Twist lock valve for easy transfer of oil between main tank and transparent chamber



Safety and breathing valve



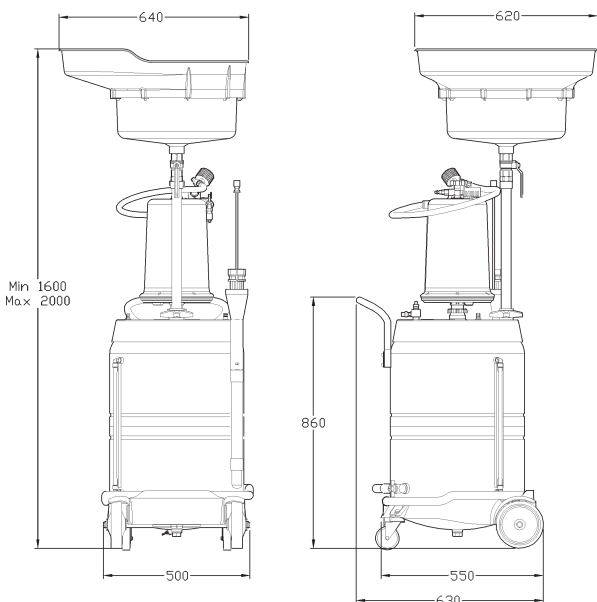
Tray for tools, filters, oil plugs etc. Holders for suction plugs.



Unique oversized extension for wider reach. Anti splash mesh for used oil filters draining



Suction hose with rubber grip and non-drip cap.



All suction models includes a set of probes as:

- ✓ Mercedes Benz adapter
- ✓ VAG adapter
- ✓ PSA & BMW adapter
- ✓ Two flexible probes, 700mm long $\varnothing 6 \times 4$ and $\varnothing 8 \times 6$ mm
- ✓ Two rigid probes, 700mm long $\varnothing 5 \times 4$ and $\varnothing 6 \times 5$ mm
- ✓ One flexible probe, 1200mm long $\varnothing 8 \times 6$ mm

Eurolube Equipment AB

Box 36 SE-711 21 Lindesberg Sweden Phone + 46 581 83665 Fax 46 581 40975 email: eurolube@eurolube.com website: www.eurolube.com