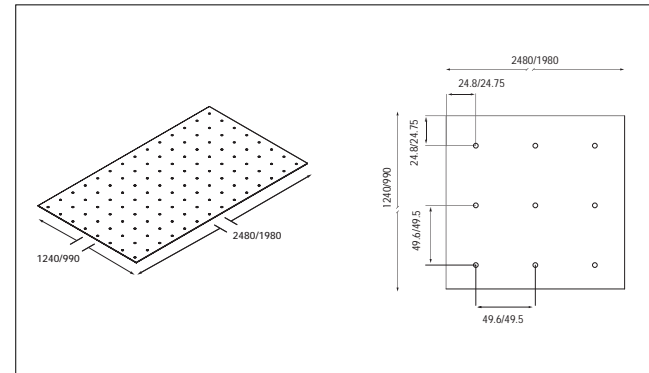
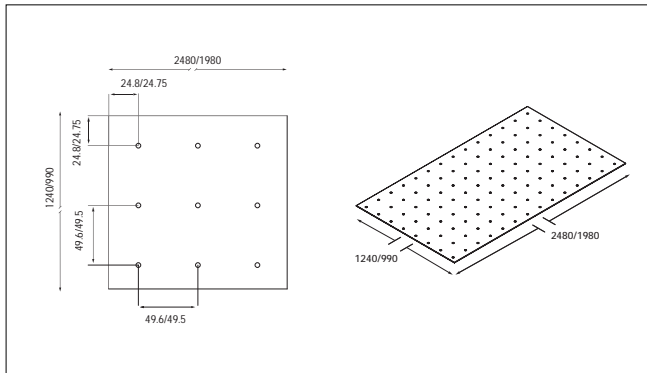
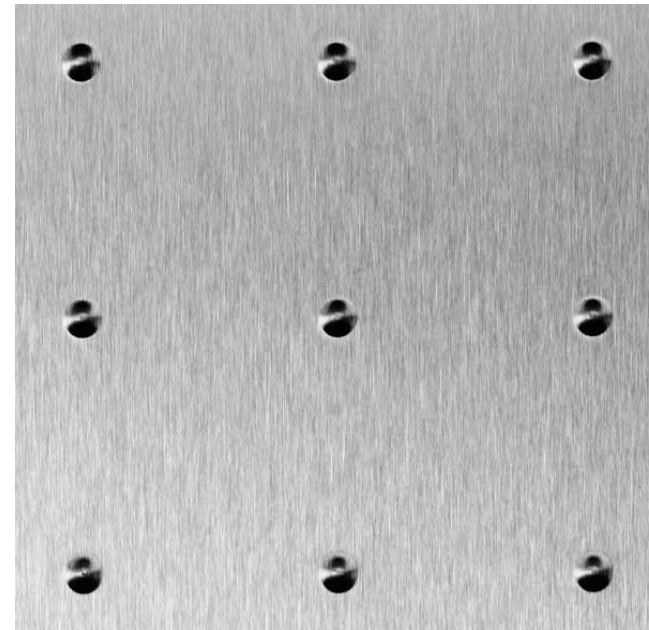
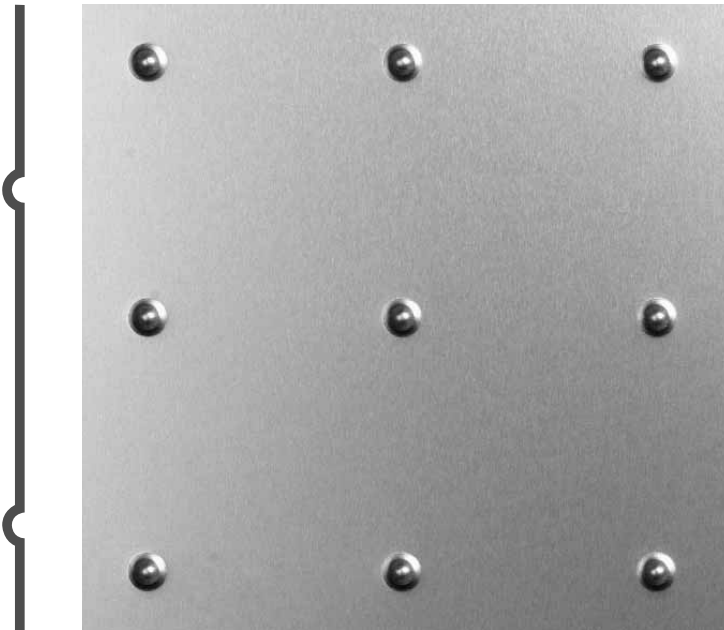


fractal technical catalogue

fractal profiles and sheets

sheets



1:1

1:1

Material
Aluminium AlMg1

Si	Fe	Cu	Mn	Mg	Cr	Zn	Ti
0,3	0,7	0,2	0,2	0,5 1,1	0,1	0,25	-

Tensile strength : 140 - 180 N/mm²
0.2 limit of elasticity : 120 N/mm²

Surface
Anodisation : 15 micron
Type : E6 EV1
Chemically treated
Natural colour - matt
Useable on 1 side
No anodisation points visible
Protective film

Studs profile : (actual size on cross-section)
Fire resistance : non flammable (DIN 4102)
Usage : interior

Measurements

Length : 2480 mm ± 2 mm
: 1980 mm ± 2 mm
Width : 1240 mm ± 1 mm
: 990 mm ± 1 mm
Tot. height : 3,6 mm ± 0,5 mm
Stud distance : 49,5/49,6 mm ± 0,5 mm
Sheet thickness : 1,5 mm DIN
Squareness : - ± 0,3 % on L
Surface area (2480x1240) : 3 m² ± 0,05 m²
Weight (1980x990) : 2 m² ± 0,05 m²
Weight (2480x1240) : 12,5kg/pc (4 kg/m²)
Weight (1980x990) : 7,9 kg/pc (4 kg/m²)
No. of studs (2480x1240) : 1250
No. of studs (1980x990) : 800
Diameter stud : ± 6 mm

Tolerances

Treatments

Material
Stainless steel AISI 304 polished

Cr	Ni	C max	S max	Mn
20 18	8 10,5	0,08	1,00	2,00

Tensile strength : 500 - 700 N/mm²
0.2 limit of elasticity : 195 N/mm²

Surface
Polished grain : 320
Polishing direction : 1980 / 2480 mm direction
Useable on 1 side
Protective film

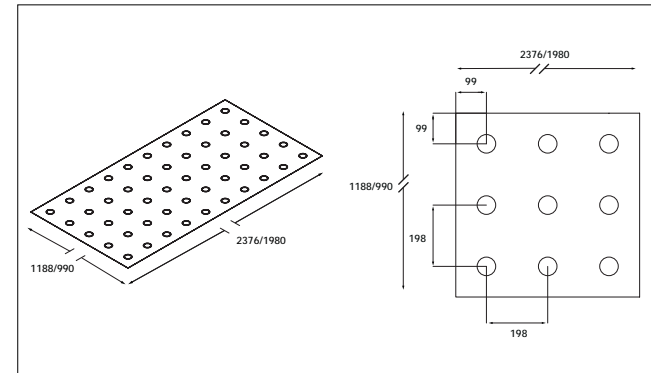
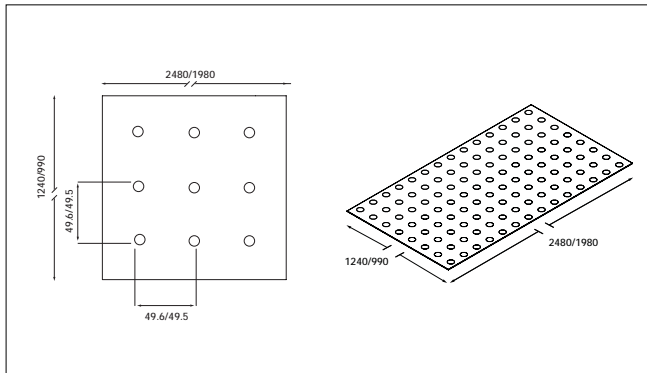
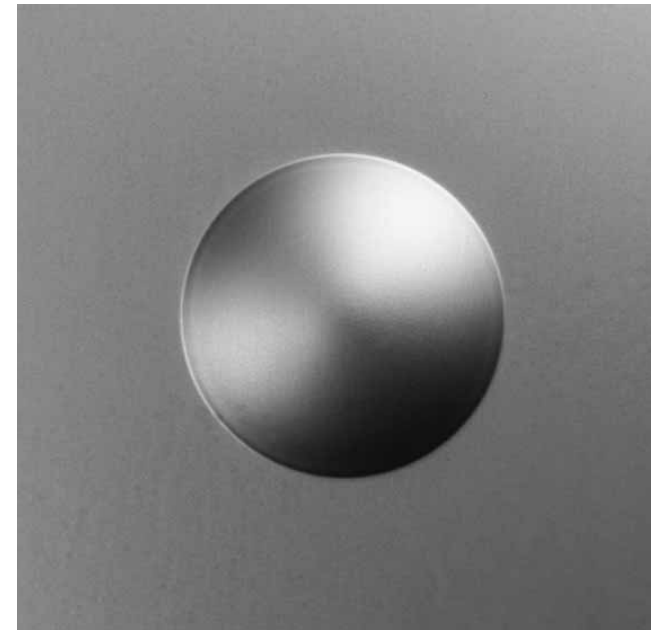
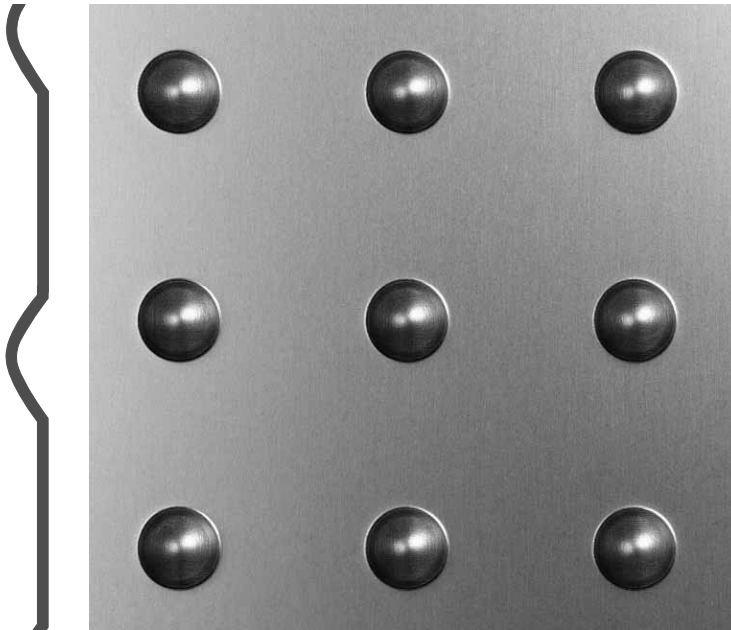
Studs profile : (actual size on cross-section)
Fire resistance : non flammable (DIN 4102)
Usage : interior

Measurements

Length : 2480 mm ± 2 mm
: 1980 mm ± 2 mm
Width : 1240 mm ± 1 mm
: 990 mm ± 1 mm
Tot. height : 2,9 mm ± 0,5 mm
Stud distance : 49,5/49,6 mm ± 0,5 mm
Sheet thickness : 1 mm DIN
Squareness : - ± 0,3 % on L
Surface area (2480x1240) : 3 m² ± 0,05 m²
Weight (1980x990) : 2 m² ± 0,05 m²
Weight (2480x1240) : 24,9 kg/pc (8 kg/m²)
Weight (1980x990) : 15,9 kg/pc (8 kg/m²)
No. of studs (2480x1240) : 1250
No. of studs (1980x990) : 800
Diameter stud : ± 6 mm

Tolerances

Treatments



1:1

1:1

Material
Aluminium AlMg1

Si	Fe	Cu	Mn	Mg	Cr	Zn	Ti
0,3	0,7	0,2	0,2	0,5 1,1	0,1	0,25	-

Tensile strength : 140 - 180 N/mm²
 0.2 limit of elasticity : 120 N/mm²

Surface
 Anodisation : 15 micron
 Type : E6 EV1
 Chemically treated
 Natural colour - matt
 Useable on 1 side (other only 8 µ anodisation)
 No anodisation points visible

Studs profile (actual size on cross-section)
Fire resistance : non flammable (DIN 4102)
Usage : interior

Measurements
 Length : 2480 mm ± 2 mm
 : 1980 mm ± 2 mm
 Width : 1240 mm ± 1 mm
 : 990 mm ± 1 mm
 Tot. height : 6,3 mm ± 0,5 mm
 Stud distance : 49,5 mm ± 0,5 mm
 Sheet thickness : 1,5 mm DIN
 Squareness : - ± 0,3 % on L
 Surface area (2480x1240) : ± 3 m² ± 0,05 m²
 Weight (1980x990) : ± 3 m² ± 0,05 m²
 Type : E6 EV1
 Weight (2480x1240) : 12,5 kg/pc (4 kg/m²)
 Weight (1980x990) : 7,9 kg/pc (4 kg/m²)
 No. of studs (2480x1240) : 1250
 No. of studs (1980x990) : 800
 Diameter stud : ± 17 mm

Tolerances

Treatments

Material
Aluminium AlMg1

Si	Ni	Cu	Mn	Mg	Cr	Zn	Ti
0,30	0,45	0,05	0,15	0,7 1,1	0,10	0,20	-

Tensile strength : 140 - 180 N/mm²
 0.2 limit of elasticity : 120 N/mm²

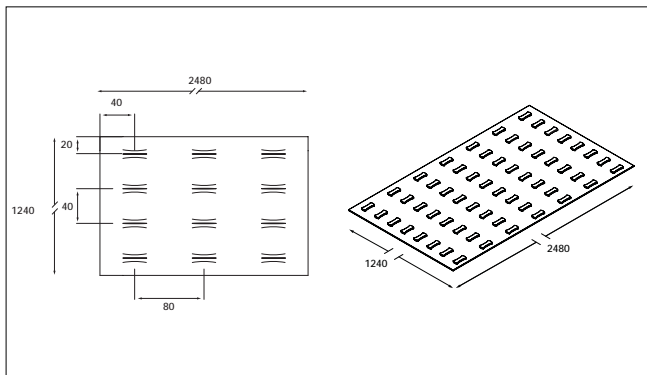
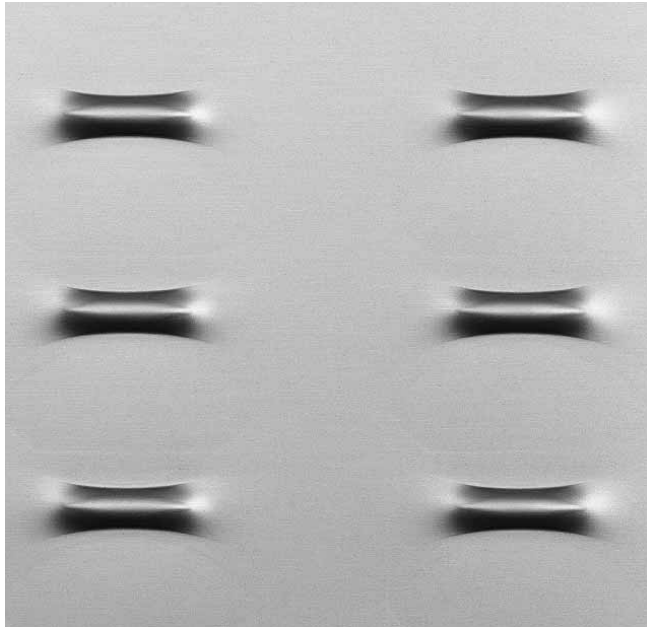
Surface
 Anodisation : 15 micron
 Type : E6 EV1
 Chemically treated
 Natural colour - matt
 Useable on 1 side (other only 8 µ anodisation)
 4 anodisation points with a diameter of ± 3mm visible

Studs profile (actual size on cross-section)
Fire resistance : non flammable (DIN 4102)
Usage : interior / exterior

Measurements
 Length : 2376 mm ± 2 mm
 : 1980 mm ± 2 mm
 Width : 1188 mm ± 1 mm
 : 990 mm ± 1 mm
 Tot. height : 9 mm ± 0,2 mm
 Stud distance : 198 mm ± 1 mm
 Sheet thickness : 2 mm DIN
 Squareness : - ± 0,3 % on L
 Surface area (2376x1188) : ± 2,8 m² ± 0,05 m²
 Weight (1980x990) : ± 2 m² ± 0,05 m²
 Type : E6 EV1
 Weight (2376x1188) : 15,3 kg/pc (5,4 kg/m²)
 Weight (1980x990) : 10,6 kg/pc (5,4 kg/m²)
 No. of studs (2376x1188) : 72
 No. of studs (1980x990) : 50
 Diameter stud : ± 60 mm

Tolerances

Treatments



Material
Aluminium AlMg1

Si	Fe	Cu	Mn	Mg	Cr	Zn	Ti
0,3	0,7	0,2	0,2	0,5 1,1	0,1	0,25	-

Tensile strength : 140 - 180 N/mm²
 0.2 limit of elasticity : 120 N/mm²

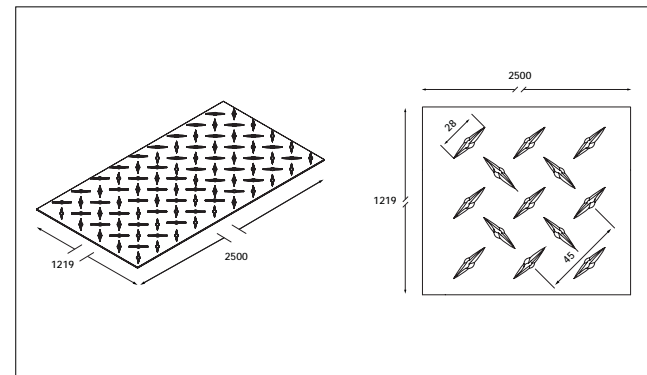
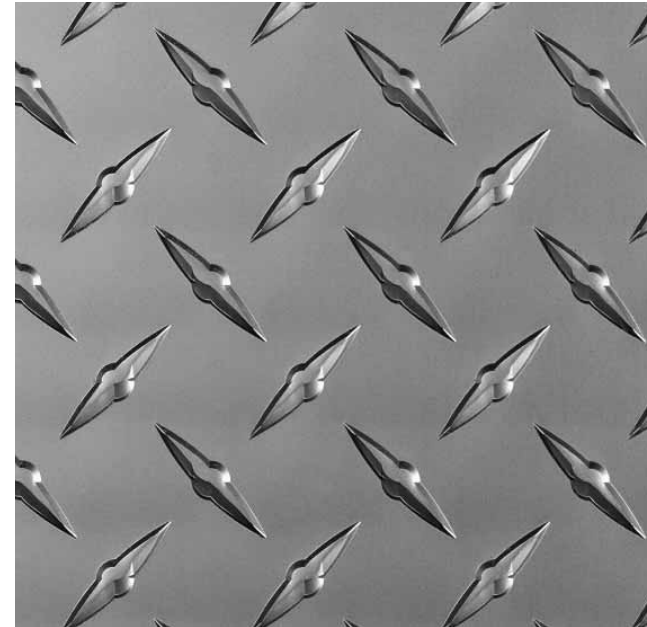
Surface
 Anodisation : 15 micron
 Type : E6 - EV1
 Chemically treated
 Natural colour - matt
 Useable on 1 side (other only 8 µ anodisation)
 4 anodisation points with a diameter of ± 3 mm visible

Stud profile : (actual size on cross-section)
Fire resistance : non-flammable (DIN 4102)
Usage : interior / exterior

Measurements
 Length : 2480 mm ± 2 mm
 Width : 1240 mm ± 2 mm
 Total height : 4,5 mm ± 0,5 mm
 Stud distance : 40/82 mm ± 0,5 mm
 Sheet thickness : 1,5 mm DIN
 Squareness : - ± 0,3 % on L
 Surface : 3 m² ± 0,05 m²
 Weight : 12,5 kg/pc (4 kg/m²)
 No. of studs : 625
 Dimension stud : ± 30 x 8 mm

Tolerances

Treatments



Material
Aluminium AlMn1Cu

Si	Ni	Cu	Mn	Mg	Cr	Zn	Ti
0,3	0,7	0,2	0,2	0,5 1,1	0,1	0,25	-

Tensile strength : 120 - 180 N/mm²
 0.2 limit of elasticity : 120 N/mm²

Surface
 Anodisation : 15 micron
 Type : E6 - EV1
 Chemically treated
 Natural colour - matt
 Useable on 1 side (other only 8 µ anodisation)
 4 anodisation points with a diameter of ± 3 mm visible

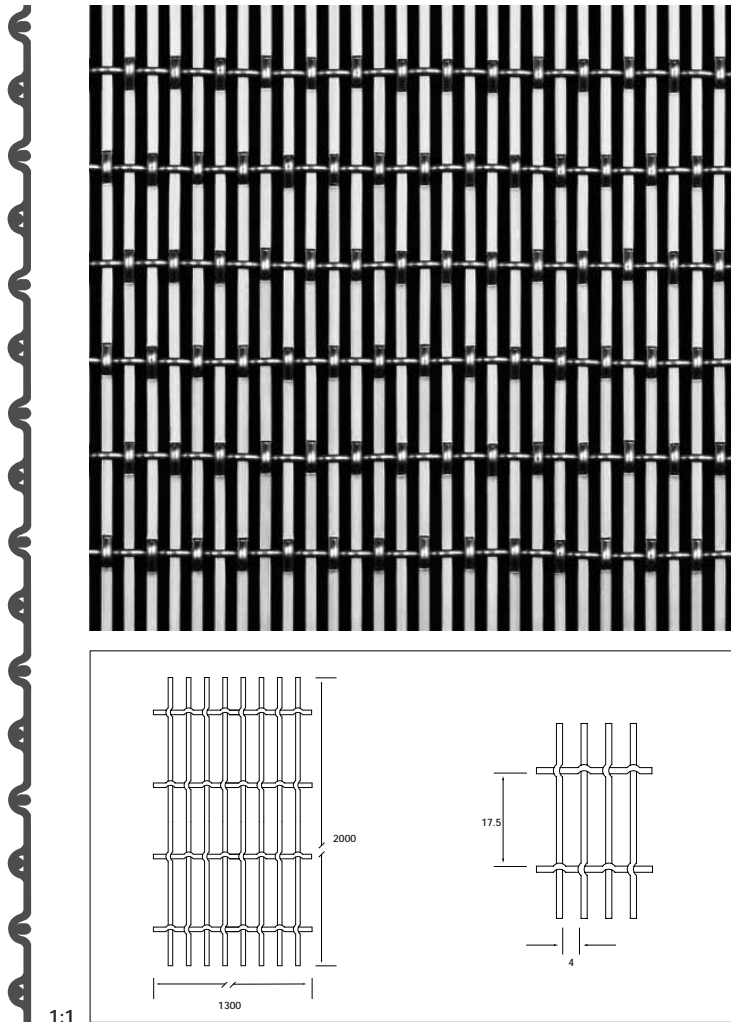
Finish
 Hot rolled
 Chequer

Fire resistance : non-flammable (DIN 4102)
Usage : interior / exterior

Measurements
 Length : 2500 mm ± 2 mm
 Width : 1219 mm ± 5 mm
 Chequer height : 1 mm ± 0,2 mm
 Sheet thickness (overall) : 2,6 mm ± 0,2 mm
 Sheet thickness : 1,6 mm ± 0,15 mm
 Squareness : - ± 0,3 % on L
 Surface area : 3 m² ± 0,05 m²
 Weight : 14,5 kg/pc (4,5 kg/m²)

Sheet thickness 2,9 / 4,1 mm (incl. chequer) on request

Treatments



1:1

Material
Aluminium AlMg1,5

Si	Fe	Cu	Mn	Mg	Cr	Zn	Ti
0,4	0,7	0,1	0,1	1,1 1,8	0,1	0,25	-

Tensile strength : 140 - 180 N/mm²
 0.2 limit of elasticity : 120 N/mm²

Surface
 Anodisation : 20 micron
 Type : E6 CO/DIN 17611
 Chemically treated
 Natural colour - matt - 2 treatments
 No anodisation points visible

Perforation square W: 2 L: 16 t1: 4,3 t2: 17,5
 Square : 2 x 16 mm
 Thickness : t1: 4,3 t2: 17,5
 Distance between centre points : 4,3 x 17,5 mm
 Permeability : 46 %

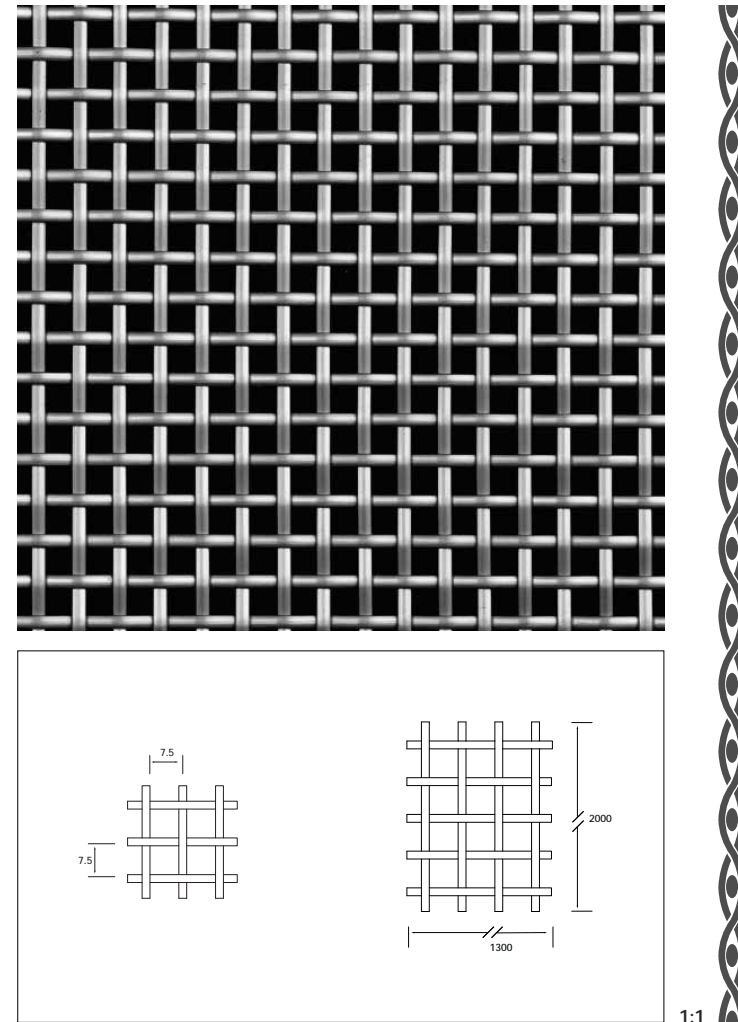
Fire resistance : non-flammable
Usage : interior

Measurements

Length	: 2000 mm	tolerances	± 10 mm
Width	: 1300 mm		± 10 mm
Total height	: 3,5 mm		± 0,2 mm
Wire gauge	: 1,5 mm		± 0,2 mm
Wire breadth	: 2,3/1,5 mm		± 0,2 mm
Surface area	: 2,6 m ²		± 0,05 m ²
Weight	: 6,4 kg/pc (2,5 kg/m ²)		

Other lengths on request

Treatments



1:1

Material
Aluminium AlMg1,5

Si	Fe	Cu	Mn	Mg	Cr	Zn	Ti
0,30	0,7	0,1	0,1	1,1 1,8	0,1	0,25	-

Tensile strength : 140 - 180 N/mm²
 0.2 limit of elasticity : 120 N/mm²

Surface
 Anodisation : 20 micron
 Type : E6 CO/DIN 17611
 Chemically treated
 Natural colour - matt - 2 treatments
 No anodisation points visible

Perforation square W: 5 T: 7,5
 Square : 5 mm
 Distance between centre points: 7,5 mm
 Permeability : 44,4 %

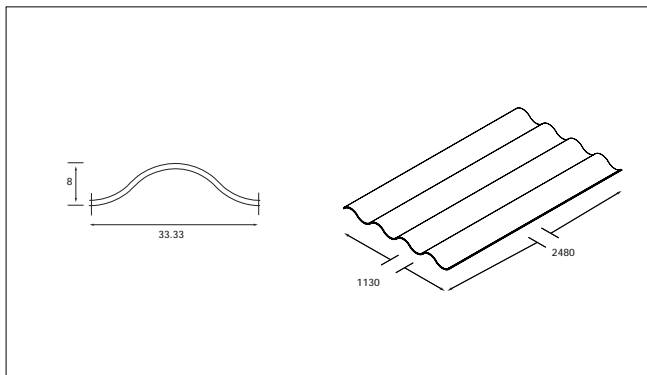
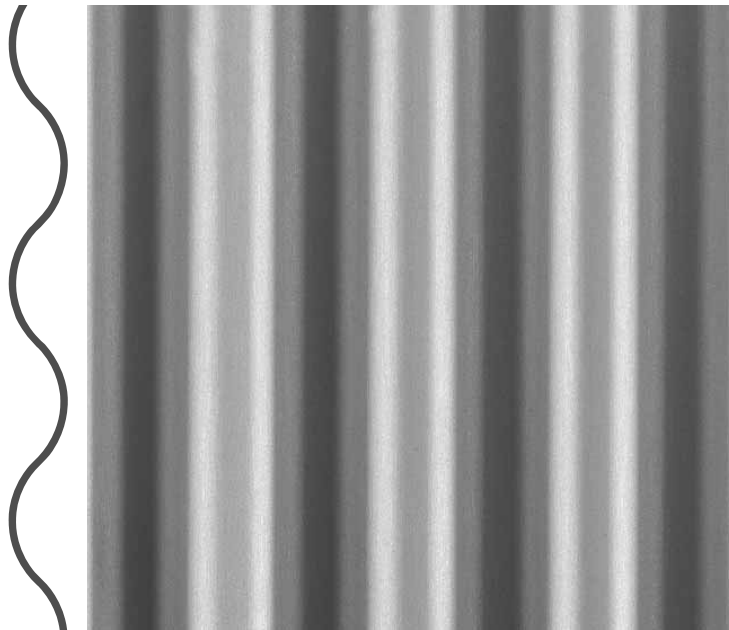
Fire resistance : non-flammable (DIN 4102)
Usage : interior

Measurements

Length	: 2000 mm	tolerances	± 10 mm
Width	: 1300 mm		± 10 mm
Total height	: 2,6 mm		± 0,2 mm
Wire gauge	: 1,3 mm		± 0,2 mm
Wire breadth	: 2,5 mm		± 0,2 mm
Surface area	: 2,6 m ²		± 0,05 m ²
Weight	: 4,4 kg/pc (1,7 kg/m ²)		

Other measurements on request

Treatments



1:1

Material
Aluminium AlMg1

Si	Fe	Cu	Mn	Mg	Cr	Zn	Ti
0,3	0,7	0,2	0,2	0,5 1,1	0,1	0,25	-

Tensile strength : 140 - 180 N/mm²
 0.2 limit of elasticity : 120 N/mm²

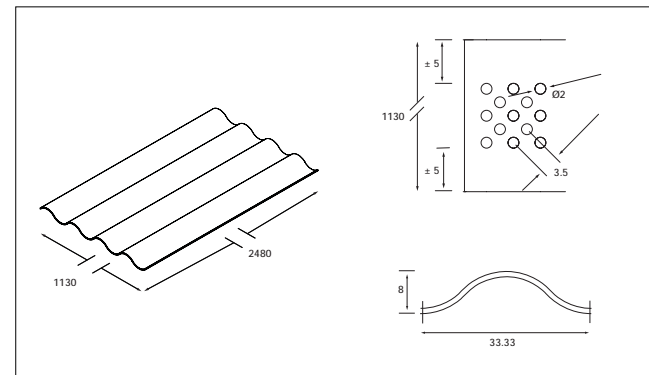
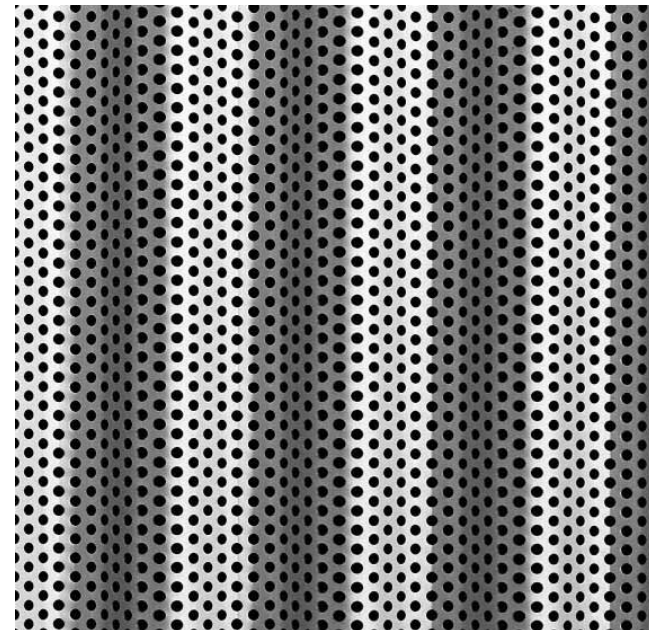
Surface
 Anodisation : 20 micron
 Type : E6 EV1
 Chemically treated
 Natural colour - matt
 Useable on 1 side (other only 8 µ anodisation)
 No anodisation points visible

Fire resistance : non-flammable (DIN 4102)
Usage : interior / exterior

Measurements
 Length : 2480 mm
 Width : 1130 mm
 Construction length : 1.100,0 mm
 Ridge height : 8 mm
 Ridge length : 33,33 mm
 Sheet thickness : 1 mm
 Squareness : -
 Surface area : ± 2,24 m²
 Weight : 7,5 kg/pc (2,7 kg/m²)
 No. of ridges : 33,5
 Parallelism of ridges : ± 1 mm/m
 Fold direction : 2480 mm direction

tolerances
 Length : ± 5 mm
 Width : ± 5 mm
 Construction length : ± 2 mm
 Ridge height : ± 1,0 mm
 Ridge length : ± 0,15 mm
 Sheet thickness : DIN
 Squareness : ± 0,3 % on L
 Surface area : ± 0,1 m²
 Weight : ± 0,3 % on L
 Parallelism of ridges : ± 1 mm/m

Treatments



1:1

Material
Aluminium AlMg1

Si	Fe	Cu	Mn	Mg	Cr	Zn	Ti
0,3	0,7	0,2	0,2	0,5 1,1	0,1	0,25	-

Tensile strength : 140 - 180 N/mm²
 0.2 limit of elasticity : 120 N/mm²

Surface
 Anodisation : 20 micron
 Type : E6 EV1
 Chemically treated
 Natural colour - matt
 Useable on 1 side (other only 8 µ anodisation)
 No anodisation points visible

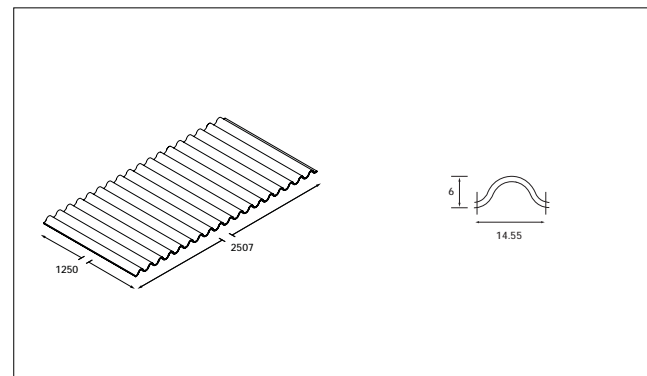
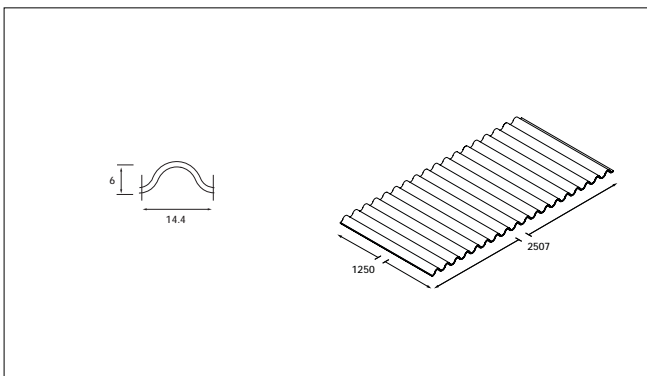
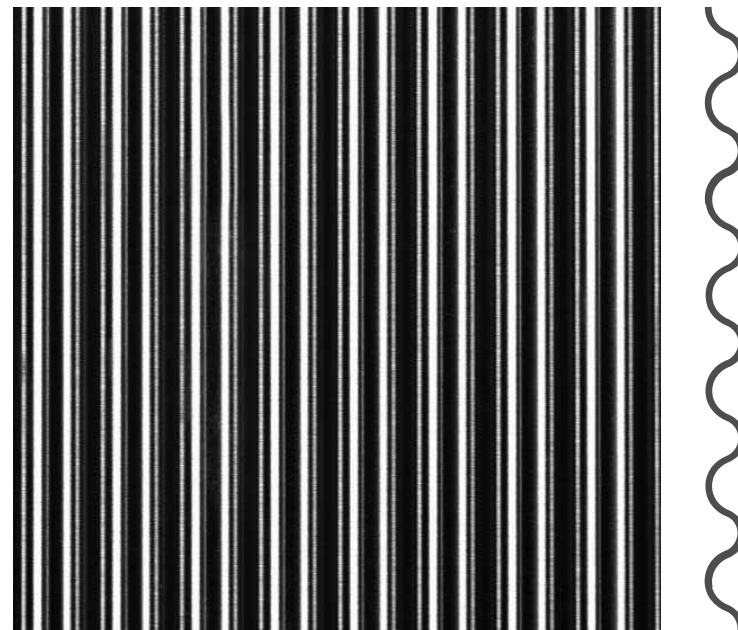
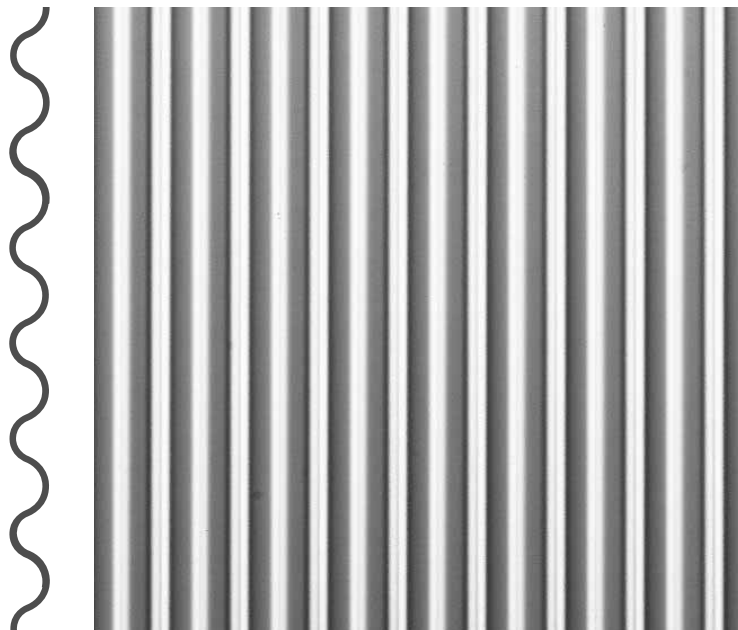
Perforation : round
 Diameter : 2 mm
 Distance between centre points : 3,5 mm
 Permeability : 30 %
 Full edge : 8 mm

Fire resistance : non-flammable (DIN 4102)
Usage : interior / exterior

Measurements
 Length : 2500 mm
 Width : 1130 mm
 Construction length : 1.100,0 mm
 Ridge height : 8 mm
 Ridge length : 33,33 mm
 Sheet thickness : 1 mm
 Squareness : -
 Surface area : ± 2,24 m²
 Weight : 5,3 kg/pc (1,9 kg/m²)
 No. of ridges : 33,5
 Fold direction : 2500 mm direction

tolerances
 Length : ± 5 mm
 Width : ± 5 mm
 Construction length : ± 2 mm
 Ridge height : ± 1,0 mm
 Ridge length : ± 0,5 mm
 Sheet thickness : DIN
 Squareness : ± 0,3 % on L
 Surface area : ± 0,1 m²
 Weight : ± 0,3 % on L
 No. of ridges : ± 0,3 % on L
 Fold direction : ± 2500 mm direction

Treatments



1:1

1:1

Material Aluminium AlMg1							
Si	Fe	Cu	Mn	Mg	Cr	Zn	Ti
0,3	0,7	0,2	0,2	0,5 1,1	0,1	0,25	-

Tensile strength : 140 - 180 N/mm²
 0.2 limit of elasticity : 120 N/mm²
Surface
 Anodisation : 20 micron
 Type : E6 EV1
 Chemically treated
 Natural colour - matt
 Useable on 1 side (other only 8 µ anodisation)
 No anodisation points visible
Fire resistance : non-flammable (DIN 4102)
Usage : interior / exterior

Measurements				tolerances	
Length	: 2507 mm			± 2 mm	
Width	: 1250 mm			± 1 mm	
Construction length	: 2.492 mm				
Ridge height	: 6 mm			± 0,5 mm	
Ridge length	: 14,4 mm			± 0,3 mm	
Sheet thickness	: 1 mm			DIN	
Squareness	: -			± 0,3 % on L	
Surface area	: 3,1 m ²			± 0,05 m ²	
Weight	: 9,6 kg/pc (3,1 kg/m ²)				
No. of ridges	: 174				
Parallelism of ridges				± 1 mm/m	
Fold direction	: 1250 mm direction				

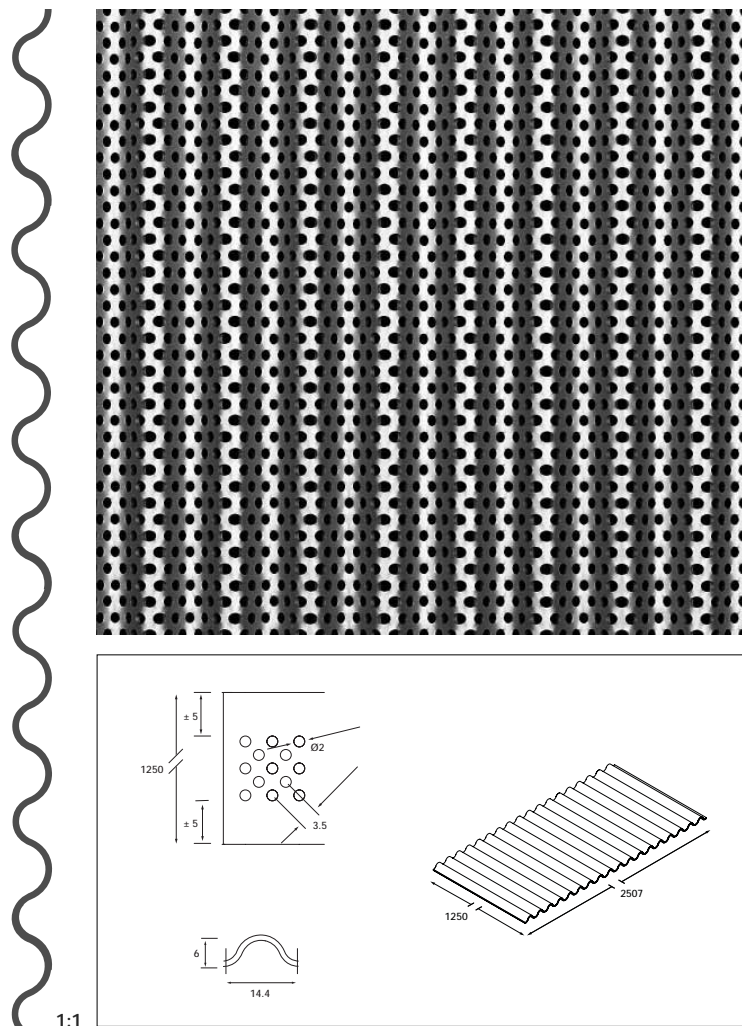
Treatments

Material Stainless steel AISI 304 polished				
Si	Ni	C max	Si max	Mn max
20 18	8 10,5	0,08	1,00	2,00

Tensile strength : 500 - 700 N/mm²
 0.2 limit of elasticity : 195 N/mm²
Surface
 Polished grain : 320
 Polished direction : 2507 mm direction
 Useable on 1 side
 Protective film
Fire resistance : non-flammable (DIN 4102)
Usage : interior / exterior

Measurements				tolerances	
Length	: 2507 mm			± 2 mm	
Width	: 1250 mm			± 1 mm	
Construction length	: 2.492 mm				
Ridge height	: 6 mm			± 0,5 mm	
Ridge length	: 14,54 mm			± 0,3 mm	
Sheet thickness	: 0,8 mm			DIN	
Squareness	: -			± 0,3 % on L	
Surface area	: 3,1 m ²			± 0,05 m ²	
Weight	: 25,3 kg/pc (8 kg/m ²)				
No. of ridges	: 172				
Parallelism of ridges				± 1 mm/m	
Fold direction	: 1250 mm direction				

Treatments



1:1

Material Aluminium AlMg1							
Si	Fe	Cu	Mn	Mg	Cr	Zn	Ti
0,3	0,7	0,2	0,2	0,5 1,1	0,1	0,25	-

Tensile strength : 140 - 180 N/mm²
 0.2 limit of elasticity : 120 N/mm²

Surface
 Anodisation : 20 micron
 Type : E6 EV1
 Chemically treated
 Natural colour - matt
 Useable on 1 side (other only 8 µ anodisation)
 No anodisation points visible

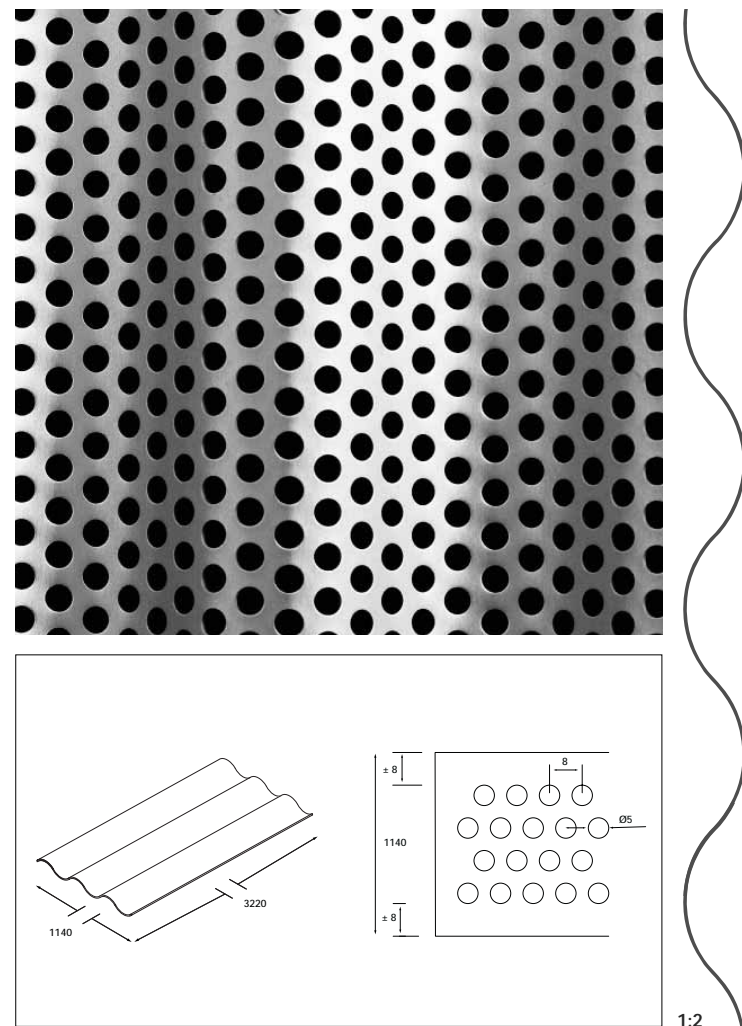
Perforation : round
 Diameter : 2 mm
 Distance between centre points : 3.5 mm
 Permeability : 30%
 Full edge : ± 5 mm

Fire resistance : non-flammable (DIN 4)
Usage : interior / exterior

Measurements
 Length : 2507 mm
 Width : 1250 mm
 Construction length : 2.492 mm
 Ridge height : 6 mm
 Ridge length : 14.4 mm
 Sheet thickness : 1 mm
 Squareness : -
 Surface area : ± 3,1 m²
 Weight : 6,5 kg/pc (2 kg/m²)
 No. of ridges : 174
 Parallelism of ridges : ± 1 mm/m
 Fold direction : 1250 mm direction

tolerances
 Length : ± 2 mm
 Width : ± 1 mm
 Ridge height : ± 0,5 mm
 Ridge length : ± 0,3 mm
 Sheet thickness : DIN
 Squareness : ± 0,3 % on L
 Surface area : ± 0,05 m²
 Weight : ± 0,05 m²
 Parallelism of ridges : ± 1 mm/m

Treatments



1:2

Material Aluminium AlMg1							
Si	Fe	Cu	Mn	Mg	Cr	Zn	Ti
0,3	0,7	0,2	0,2	0,5 1,1	0,1	0,25	-

Tensile strength : 140 - 180 N/mm²
 0.2 limit of elasticity : 120 N/mm²

Surface
 Anodisation : 20 micron
 Type : E6 EV1
 Chemically treated
 Natural colour - matt
 Useable on 1 side (other only 8 µ anodisation)
 No anodisation points visible

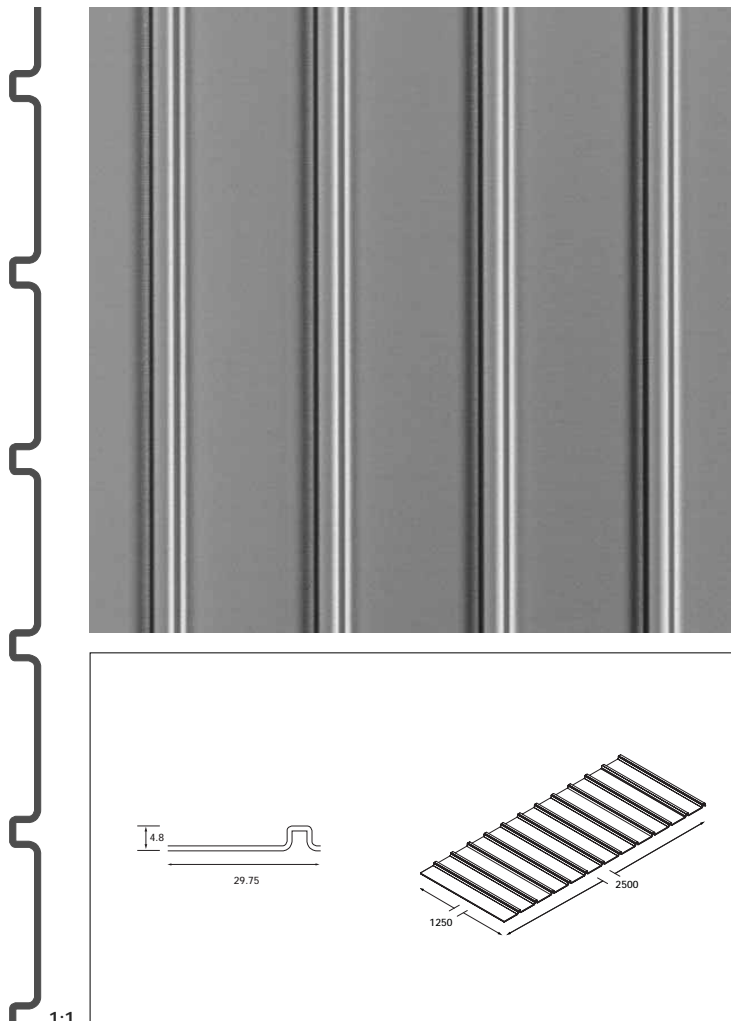
Perforation : round R 5 T 8
 Diameter : 5 mm
 Distance between centre points : 8 mm
 Permeability : 35%
 Full edge : 8 mm

Fire resistance : non-flammable (DIN4102)
Usage : interior / exterior

Measurements
 Length : 3220 mm
 Width : 1140 mm
 Construction length : 1.067 mm
 Ridge height : 18 mm
 Ridge length : 76,2 mm
 Sheet thickness : 1 mm
 Squareness : -
 Surface area : ± 3,5 m²
 Weight : 7,18 kg/pc (2,09 kg/m²)
 No. of ridges : 14,5
 Parallelism of ridges : ± 1mm/m
 Fold direction : 3220 mm direction

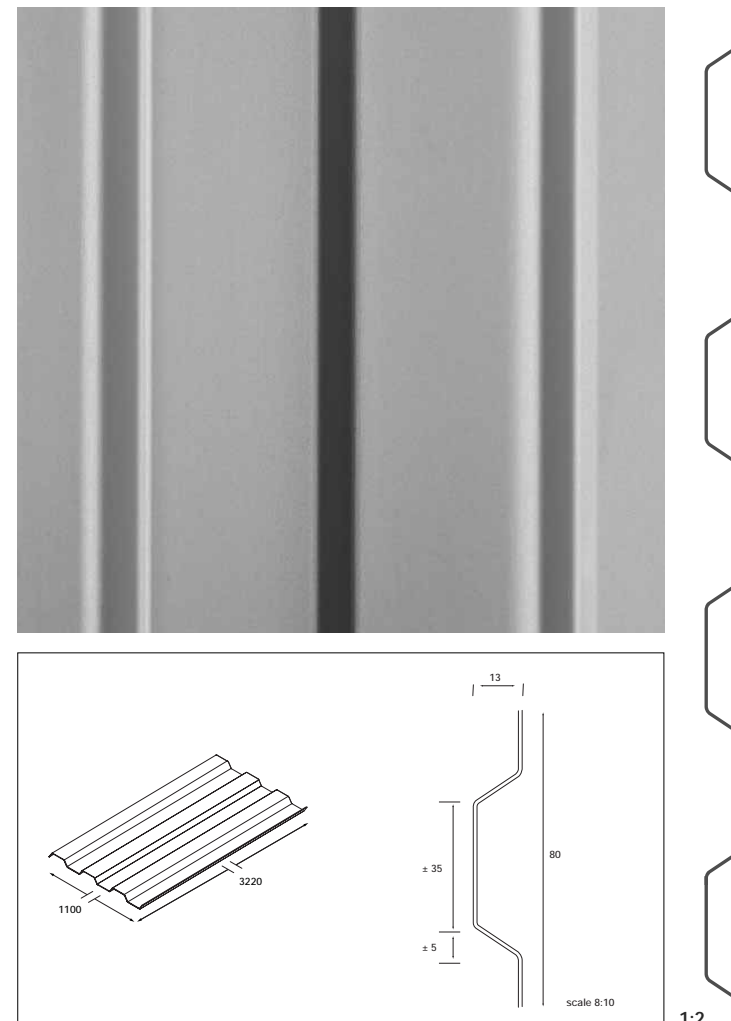
tolerances
 Length : ± 5 mm
 Width : ± 10 mm
 Ridge height : ± 2 mm
 Ridge length : ± 1,0 mm
 Sheet thickness : DIN
 Squareness : ± 0,3 % on L
 Surface area : ± 0,1 m²
 Weight : ± 0,1 m²
 Parallelism of ridges : ± 1mm/m

Treatments



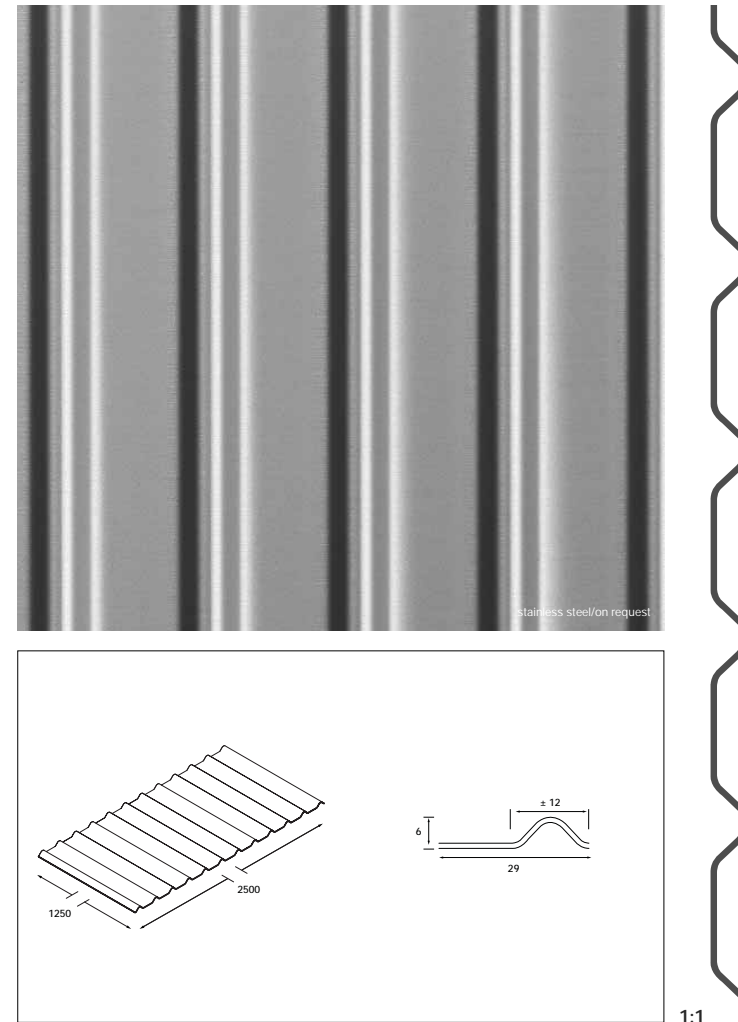
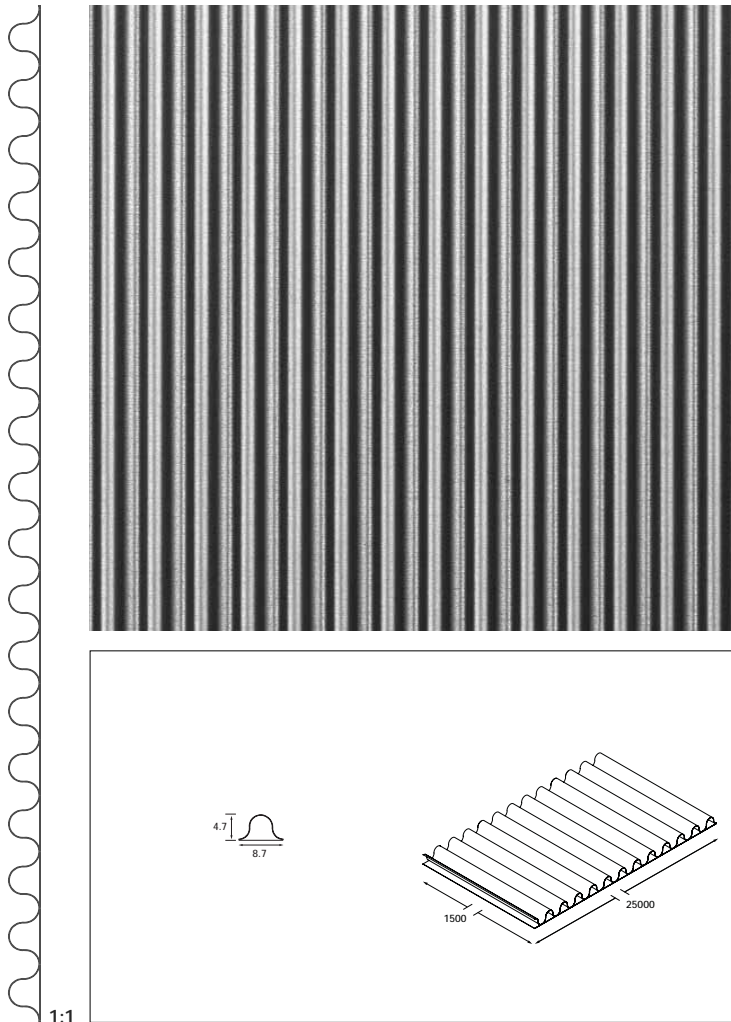
1:1

Material							
Aluminium AlMg1							
Si	Fe	Cu	Mn	Mg	Cr	Zn	Ti
0,3	0,7	0,2	0,2	0,5 1,1	0,1	0,25	-
Tensile strength		: 140 - 180 N/mm ²					
0.2 limit of elasticity		: 120 N/mm ²					
Surface							
Anodisation		: 20 micron					
Type		: E6 EV1					
Chemically treated							
Natural colour - matt							
Useable on 1 side (other only 8 µ anodisation)							
No anodisation points visible							
Fire resistance		: non-flammable (DIN 4102)					
Usage		: interior / exterior					
Polished stainless steel 304 on request							
Measurements				tolerances			
Length		: 2500 mm		± 5 mm			
Width		: 1250 mm		± 1 mm			
Ridge height		: 4,8 mm		± 0,2 mm			
Ridge length		: 29,75 mm		± 0,2 mm			
Sheet thickness		: 0,8 mm		DIN			
Squareness		: -		± 0,3 % on L			
Surface area		: ± 3 m ²		± 0,05 m ²			
Weight		: 7 kg (2,3 kg/m ²)					
No. of ridges		: 84					
Parallelism of ridges				± 1mm/m			
Fold direction		: 1250 mm direction					
Remark : some tension may occur in the 1250 direction, so that the ridges may be about 8 mm bended							
Treatments							



1:2

Material							
Aluminium AlMg1							
Si	Fe	Cu	Mn	Mg	Cr	Zn	Ti
0,3	0,7	0,2	0,2	0,5 1,1	0,1	0,25	-
Tensile strength		: 140 - 180 N/mm ²					
0.2 limit of elasticity		: 120 N/mm ²					
Surface							
Anodisation		: 20 micron					
Type		: E6 - EV1					
Chemically treated							
Natural colour - matt							
No anodisation points visible							
Useable on 1 side (other only 8 µ anodisation)							
Fire resistance		: non-flammable (DIN 4102)					
Usage		: interior / exterior					
Measurements				tolerances			
Length		: 3220 mm		± 10 mm			
Width		: 1100 mm		± 2 mm			
Construction length		: 1040 mm					
Ridge height		: 13 mm		± 1 mm			
Ridge length		: 80 mm		± 1 mm			
Sheet thickness		: 1 mm		DIN			
Squareness		: -		5 mm/m			
Surface area		: ± 3,5 m ²		± 0,1 m ²			
Weight		: 10 kg/pc (2,9 kg/m ²)					
No. of ridges		: 13					
Fold direction		: 3220 mm direction					
Treatments							



Material
Aluminium AlMg4,5Mn0,5
Ridged side
Aluminium AlMg3
Rear side

Surface
Matt chromed
Ridged side provided with corrosion resistant

Fire resistance : non-flammable
(IMO Fire Test Procedure)
Non impact resistant

Usage : Interior

Measurements
Length : 25000 mm ± 100 mm
Width : 1500 mm ± 6 mm
Ridge height : 4,7 mm ± 0,2 mm
Ridge length : 8,7 mm ± 0,1 mm
Sheet thickness : 0,5 / 0,3 mm DIN
Squareness : - ± 0,5 % on L
Surface area : 37,5 m² ± 0,5 m²
Weight : 83 kg/pc (2,2 kg/m²)
Fold direction : 1500 mm direction

Available on roll (25 m) or specefied lengths

Treatments

Material
Aluminium AlMg1

Si	Fe	Cu	Mn	Mg	Cr	Zn	Ti
0,3	0,7	0,2	0,2	0,5 1,1	0,1	0,25	-

Tensile strength : 140 - 180 N/mm²
0.2 limit of elasticity : 120 N/mm²

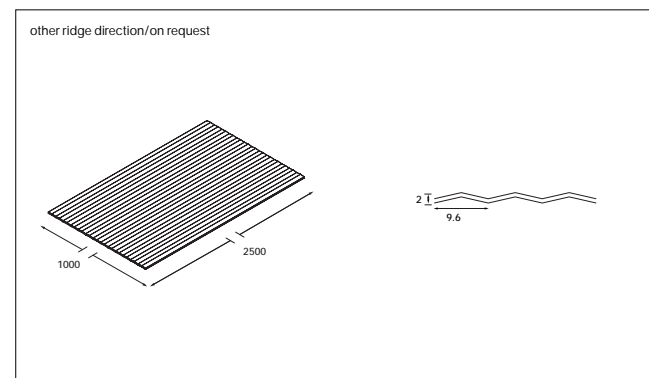
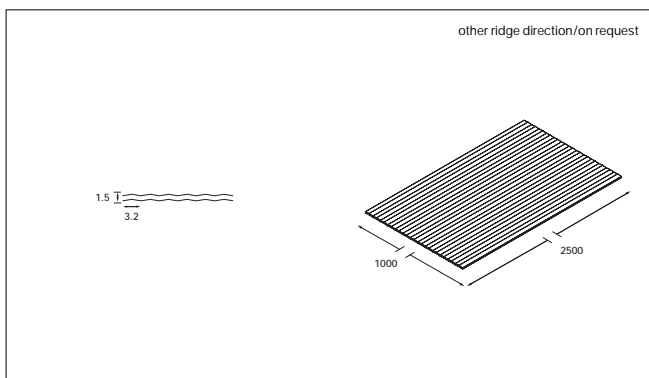
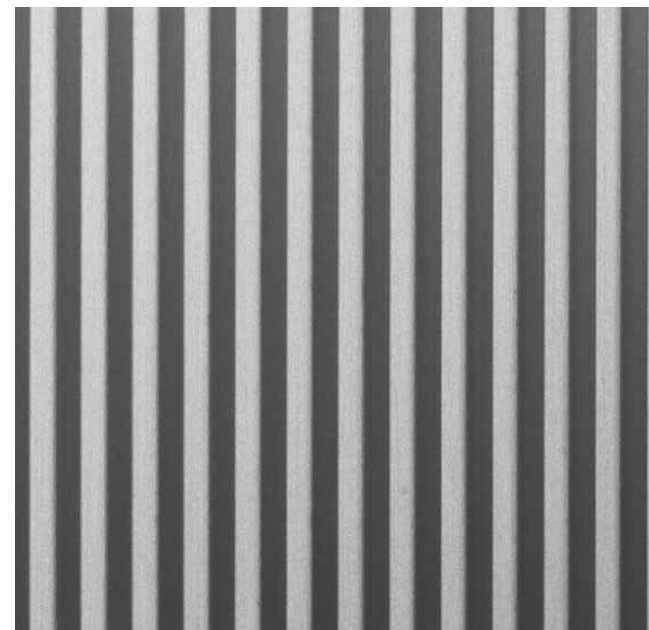
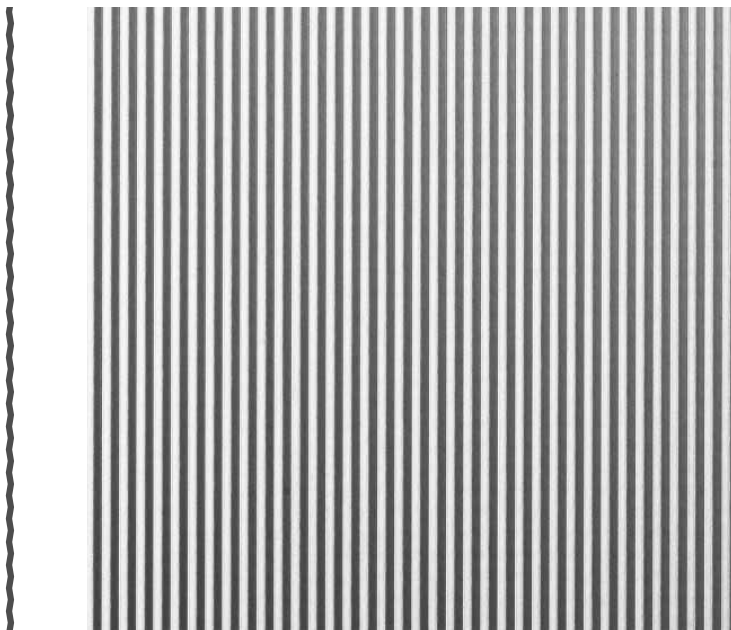
Surface
Anodisation : 20 micron
Type : E6 - EV1
Chemically treated
Natural colour - matt
Useable on 1 side (other only 8 µ anodisation)
No anodisation points visible

Fire resistance : non-flammable (DIN 4102)
Usage : Interior / exterior

Polished stainless steel 304 on request

Measurements
Length : 2500 mm ± 5 mm
Width : 1250 mm ± 1 mm
Ridge height : 6 mm ± 0,2 mm
Ridge length : 29 mm ± 0,3 mm
Sheet thickness : 1 mm DIN
Squareness : - ± 0,3 % on L
Surface area : ± 3,1 m² ± 0,05 m²
Weight : 8,9 kg/pc (2,9 kg/m²)
No. of ridges : 86
Parallelism of ridges : ± 1mm/m
Fold direction : 1250 mm direction

Treatments



1:1

1:1

Material							
Aluminium AlMg1							
Si	Fe	Cu	Mn	Mg	Cr	Zn	Ti
0,3	0,7	0,2	0,2	0,5 1,1	0,1	0,25	-

Tensile strength : 140 - 180 N/mm²
 0.2 limit of elasticity : 120 N/mm²
Surface
 Anodisation : 20 micron
 Type : E6 - EV1
 Chemically treated
 Natural colour - matt
 Useable on 1 side (other only 8 µ anodisation)
 4 anodisation points with a diameter of ± 3mm visible
Fire resistance : non-flammable (DIN 4102)
Usage : interior / exterior

Measurements		tolerances	
Length	: 2500 mm		± 10 mm
Width	: 1000 mm		± 2 mm
Ridge height	: 1,5 mm		± 0,5 mm
Ridge length	: 3,2 mm		± 0,2 mm
Sheet thickness	: 1 mm		DIN
Squareness	: -		± 0,3 % on L
Surface area	: ± 2,5 m ²		± 0,05 m ²
Weight	: 6,2 kg/pc (2,5 kg/m ²)		
No. of ridges	: 315		
Fold direction	: 2500 mm direction		

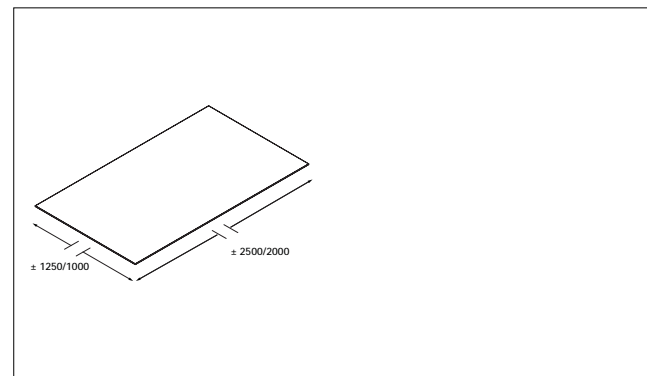
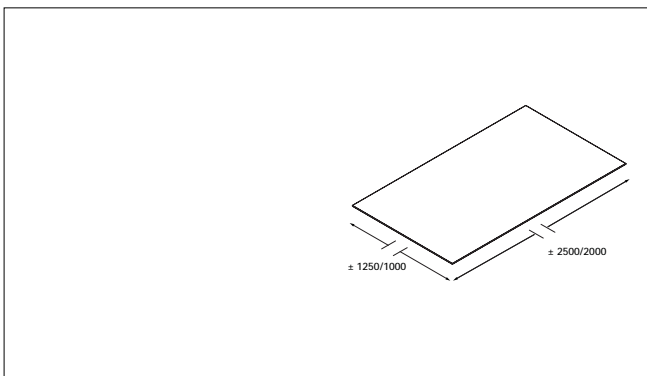
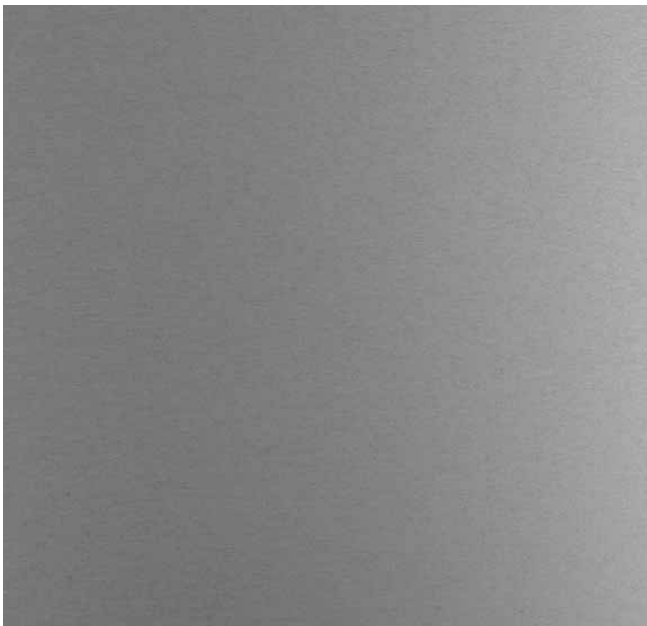
Treatments

Material							
Aluminium AlMg1							
Si	Fe	Cu	Mn	Mg	Cr	Zn	Ti
0,3	0,7	0,2	0,2	0,5 1,1	0,1	0,25	-

Tensile strength : 140 - 180 N/mm²
 0.2 limit of elasticity : 120 N/mm²
Surface
 Anodisation : 20 micron
 Type : E6 EV1
 Chemically treated
 Natural colour - matt
 Useable on 1 side (other only 8 µ anodisation)
 4 anodisation points with a diameter of ± 3mm visible
Fire resistance : non-flammable (DIN 4102)
Usage : interior / exterior

Measurements		tolerances	
Length	: 2500 mm		± 10 mm
Width	: 1000 mm		± 2 mm
Ridge height	: 2 mm		± 0,5 mm
Ridge length	: 9,6 mm		± 0,2 mm
Sheet thickness	: 1 mm		DIN
Squareness	: -		± 0,3 % on L
Surface area	: ± 2,5 m ²		± 0,05 m ²
Weight	: 6,3 kg/pc (2,5 kg/m ²)		
No. of ridges	: 104		
Fold direction	: 2500 mm direction		

Treatments



1:1

1:1

Material
Aluminium AlMg1

Si	Fe	Cu	Mn	Mg	Cr	Zn	Ti
0,3	0,7	0,2	0,2	0,5 1,1	0,1	0,25	-

Tensile strength : 140 - 180 N/mm²
 0.2 limit of elasticity : 120 N/mm²

Surface
 Anodisation : 15 micron
 Type : E6 EV1
 Chemically treated
 Natural colour - matt
 Useable on 1 side (other only 8 µ anodisation)
 Protective film

Fire resistance : non-flammable (DIN 4102)
Usage : interior / exterior

Measurements
 Length : 2000 mm + 0 + 4 mm
 : 2500 mm + 0 + 6 mm
 Width : 1000 mm + 0 + 3 mm
 : 1250 mm + 0 + 3 mm
 Sheet thickness : 1,5 mm DIN
 Squareness : - ± 0,3% W on L
 Surface area (2000x1000) : 2 m² ± 0,05 m²
 Weight (2500x1250) : 3,1 m² ± 0,05 m²
 Weight (2000x1000) : 8,1 kg/pc (4 kg/m²)
 Weight (2500x1250) : 12,7 kg/pc (4 kg/m²)

Tolerances

Treatments

Material
Stainless steel AISI 304 polished

Cr	Ni	Cu	Mn	Mg
18 20	8 10,5	0,05	0,15	0,7 1,1

Tensile strength : 500 - 700 N/mm²
 0.2 limit of elasticity : 195 N/mm²

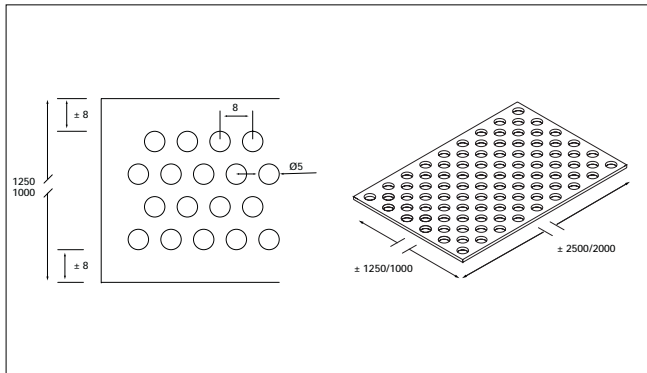
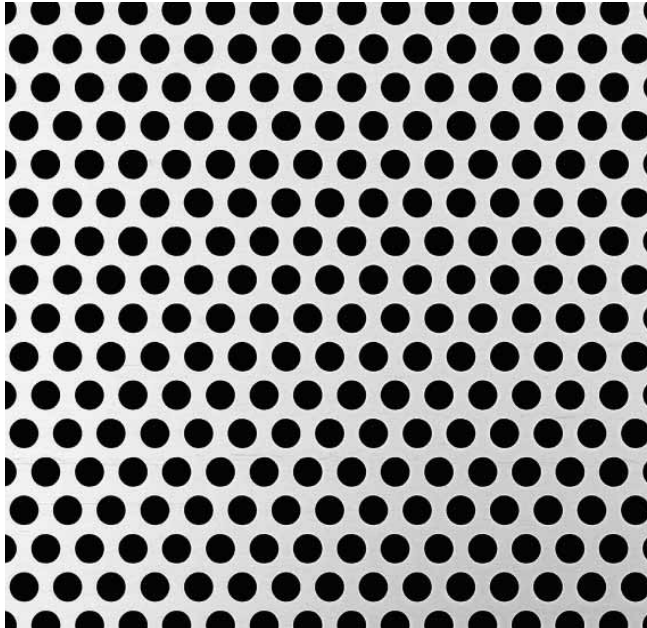
Surface
 Polished grain : 320
 Polished direction : 2500 mm direction
 Useable on 1 side (other side not polished)
 Protective film

Fire resistance : non-flammable (DIN 4102)
Usage : interior/exterior

Measurements
 Length : 2000 mm + 0 + 4 mm
 : 2500 mm + 0 + 6 mm
 Width : 1000 mm + 0 + 3 mm
 : 1250 mm + 0 + 3 mm
 Sheet thickness : 1 mm DIN
 Squareness : - ± 0,3% W on L
 Surface area (2000x1000) : 2 m² ± 0,05 m²
 Weight (2500x1250) : 3,1 m² ± 0,05 m²
 Weight (2000x1000) : 16 kg/pc (8 kg/m²)
 Weight (2500x1250) : 24,9 kg/pc (8 kg/m²)

Tolerances

Treatments



1:1

Material
Aluminium AlMg1

Si	Fe	Cu	Mn	Mg	Cr	Zn	Ti
0,3	0,7	0,7	0,2	0,5 1,1	0,1	0,25	-

Tensile strength : 140 - 180 N/mm²
0.2 limit of elasticity : 120 N/mm²

Surface
Anodisation : 15 micron
Type : E6 EV1
Chemically treated
Natural colour - matt
Useable on 1 side (other only 8 µ anodisation)
4 anodisation points with a diameter of ± 3mm visible

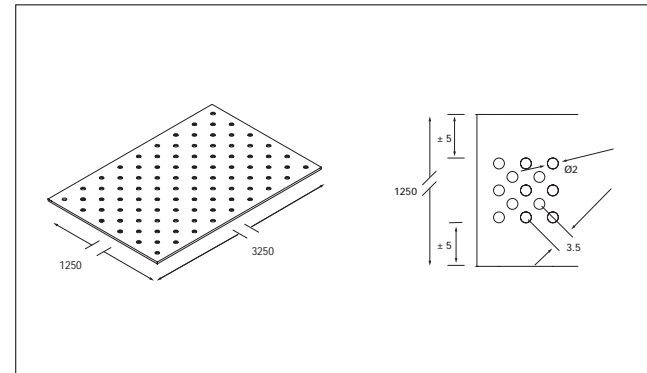
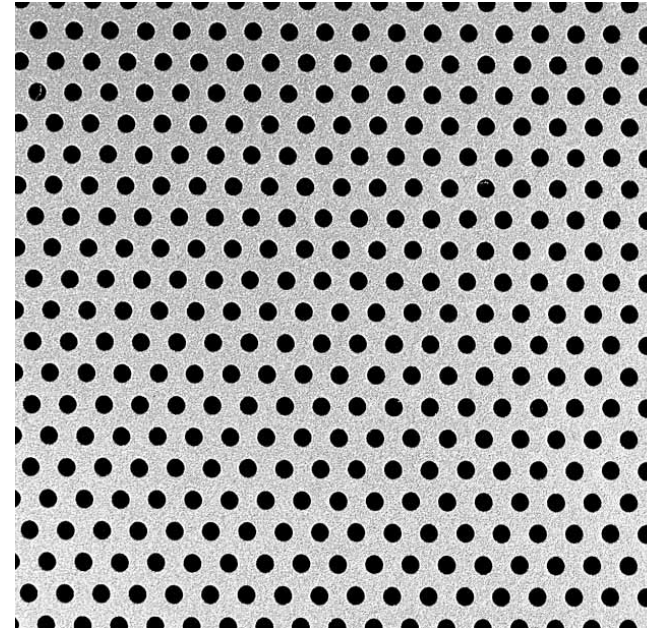
Perforation round R: 5 T: 8
Diameter : 2 mm
Distance between centre points : 8 mm
Permeability : 35%
Full edge : 8 mm

Fire resistance : non-flammable (DIN 4102)
Usage : interior / exterior

Measurements

Length	: 2000 mm	tolerances	: + 0 + 4 mm
	: 2500 mm		: + 0 + 6 mm
Width	: 1000 mm		: + 0 + 3 mm
	: 1250 mm		: + 0 + 3 mm
Sheet thickness	: 1,5 mm		DIN
Squareness	: -		± 0,3% W on L
Surface area (2000x1000)	: 2 m ²		± 0,05 m ²
Weight (2500x1250)	: 3,1 m ²		± 0,05 m ²
Weight (2000x1000)	: 8,1 kg/pc (4 kg/m ²)		
Weight (2500x1250)	: 12,7 kg/pc (4 kg/m ²)		

Treatments



1:1

Material
Aluminium AlMg1

Si	Fe	Cu	Mn	Mg	Cr	Zn	Ti
0,3	0,7	0,2	0,2	0,5 1,1	0,1	0,25	-

Tensile strength : 140 - 180 N/mm²
0.2 limit of elasticity : 120 N/mm²

Surface
Anodisation : 20 micron
Type : E6 EV1
Chemically treated
Natural colour - matt
Useable on 1 side (other only 8 µ anodisation)
4 anodisation points with a diameter of ± 3 mm visible

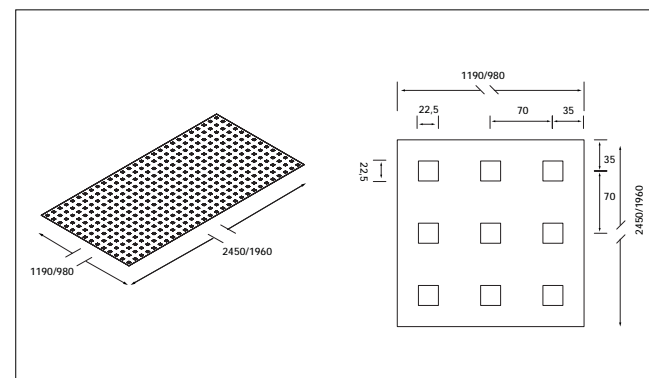
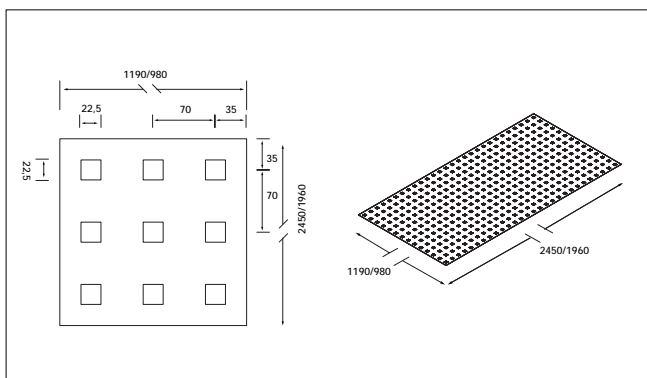
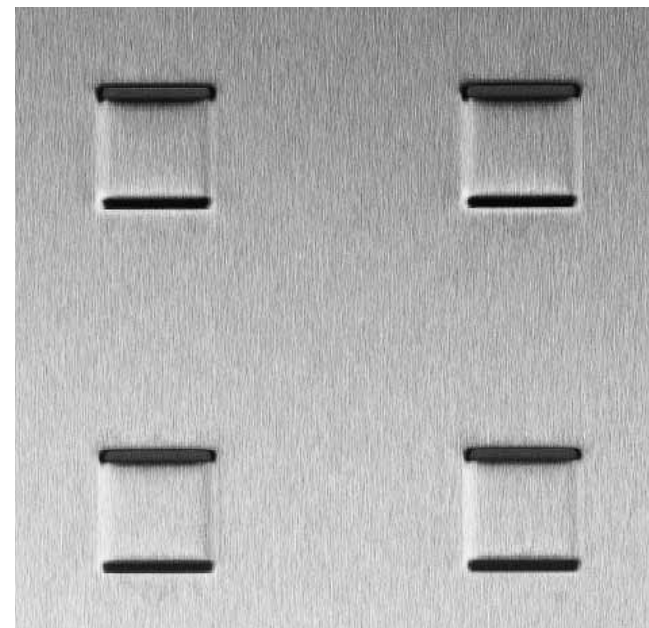
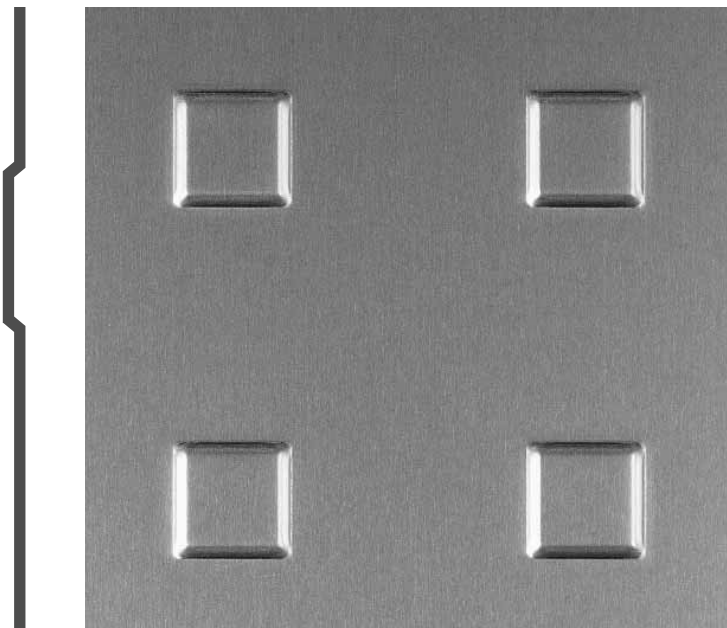
Perforation round
Diameter : 2 mm
Distance between centre points: 3,5 mm
Permeability : 30%
Full edge : ± 5 mm

Fire resistance : non-flammable (DIN 4)
Usage : interior/ exterior

Measurements

Length	: 3250 mm	tolerances	: + 0 + 6 mm
Width	: 1250 mm		: + 0 + 3 mm
Sheet thickness	: 1 mm		DIN
Squareness	: -		± 0,3% W on L
Surface area (2000x1000)	: 2 m ²		± 0,05 m ²
Weight (2500x1250)	: 3,1 m ²		± 0,05 m ²
Weight (2000x1000)	: 8,1 kg/pc (4 kg/m ²)		
Weight (2500x1250)	: 12,7 kg/pc (4 kg/m ²)		

Treatments



Material
Aluminium AlMg1

Si	Fe	Cu	Mn	Mg	Cr	Zn	Ti
0,30	0,45	0,05	0,15	0,7 1,1	0,10	0,20	-

Tensile strength : 140 - 180 N/mm²
 0.2 limit of elasticity : 120 N/mm²

Surface
 Anodisation : 15 micron
 Type : E6 - EV1
 Chemically treated
 Natural colour - matt
 Useable on 1 side
 No anodisation points visible
 Protective film
 Stud profile (actual size on cross section)

Fire resistance : non-flammable (DIN 4102)
Usage : interior

Measurements
 Length : 2450 mm ± 2 mm
 : 1960 mm ± 2 mm
 Width : 1190 mm ± 1 mm
 : 980 mm ± 1 mm
 Total height : 3,1 mm ± 0,5 mm
 Stud distance : 70 mm ± 0,5 mm
 Sheet thickness : 1,5 mm DIN
 Squareness : - ± 0,3 % on L
 Surface area (2450x1190) : 2,92 m² ± 0,05 m²
 (1960x980) : 1,92 m² ± 0,05 m²
 Weight (2450x1190) : 11,7 kg/pc (4kg/m²)
 (1960x980) : 7,8 kg/pc (4kg/m²)
 No. of studs (2450x1190) : 595
 (1960x980) : 392
 Diameter stud : ± 22,5 x 22,5 mm

tolerances

Treatments

Material
Stainless steel AISI 304 polished

Si	Ni	C	Si	Mn
max	max	max	max	max
20	8	0,08	1,00	2,00
18	10,5			

Tensile strength : 500 - 700 N/mm²
 0.2 limit of elasticity : 195 N/mm²

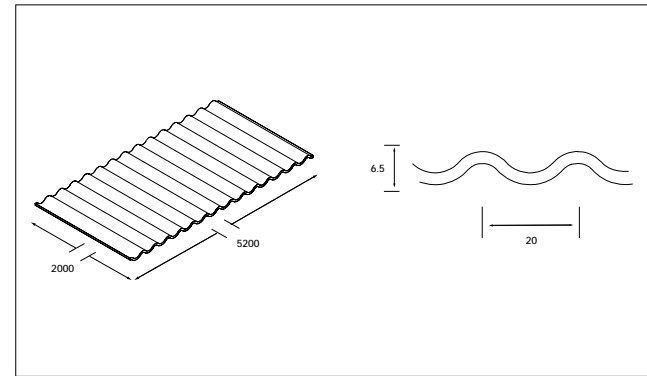
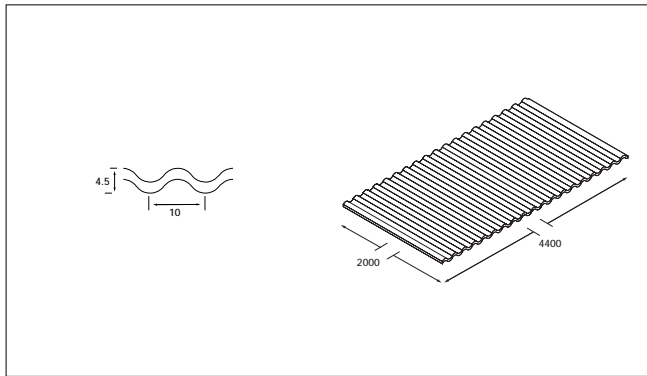
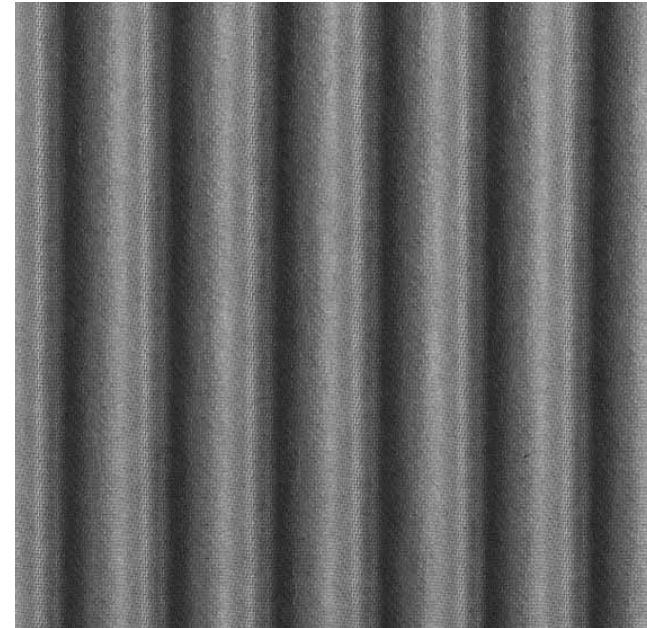
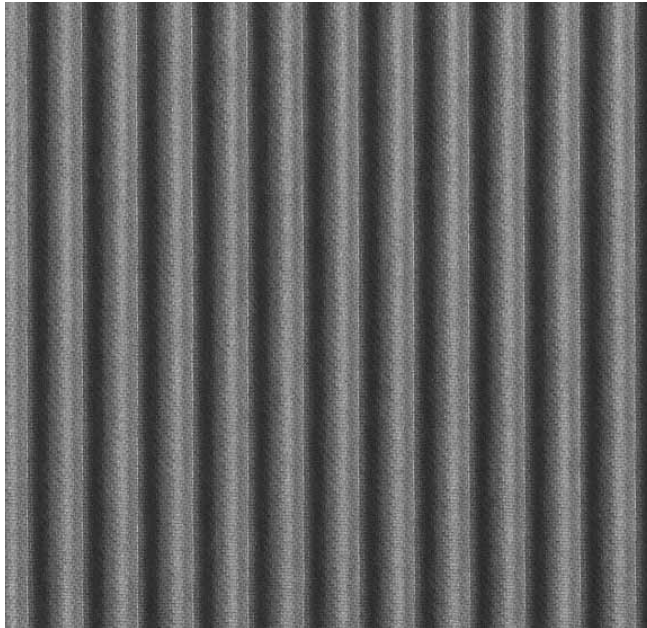
Surface
 Polished grain : 320
 Polished direction : E6 EV1
 Chemically treated : 2450 / 1960 direction
 Useable on 1 side
 Protective film

Fire resistance : Non-flammable (DIN 4102)
Usage : interior

Measurements
 Length : 2450 mm ± 2 mm
 : 1960 mm ± 2 mm
 Width : 1190 mm ± 1 mm
 : 980 mm ± 1 mm
 Total height : 2,3 mm ± 0,5 mm
 Stud distance : 70 mm ± 0,5 mm
 Sheet thickness : 1,5 mm DIN
 Squareness : - ± 0,3 % on L
 Surface area (2450x1190) : 2,92 m² ± 0,05 m²
 (1960x980) : 1,92 m² ± 0,05 m²
 Weight (2450x1190) : 23,6 kg/pc (8kg/m²)
 (1960x980) : 15,6 kg/pc (8kg/m²)
 No. of studs (2450x1190) : 595
 (1960x980) : 392
 Diameter stud : ± 22,5 x 22,5 mm

tolerances

Treatments

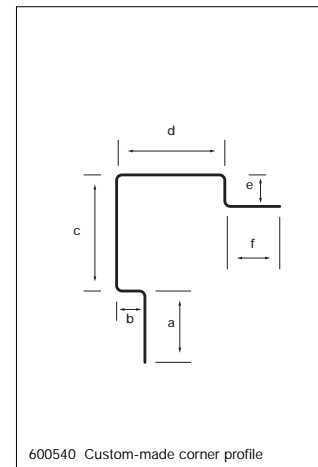
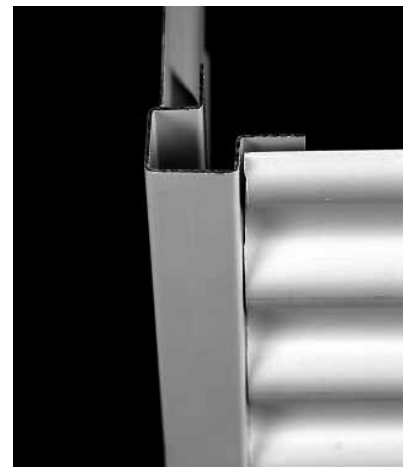
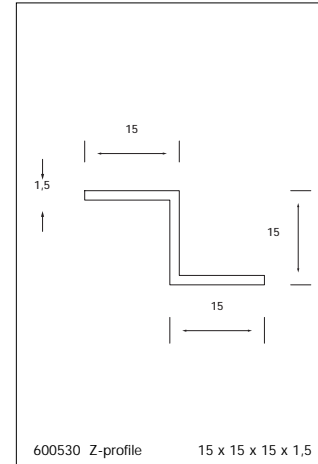
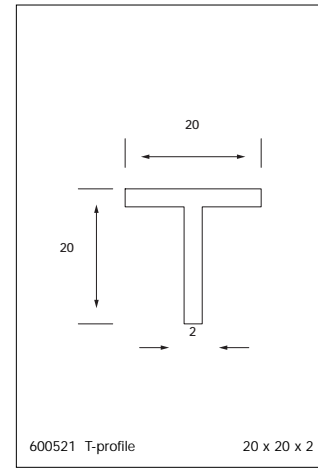
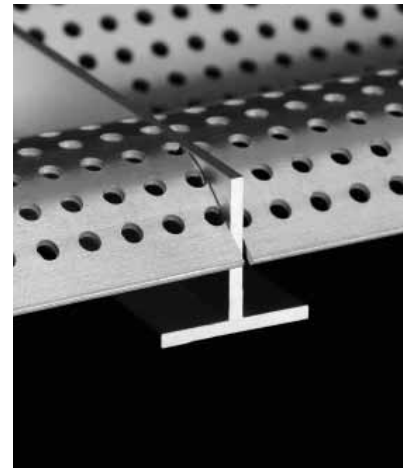
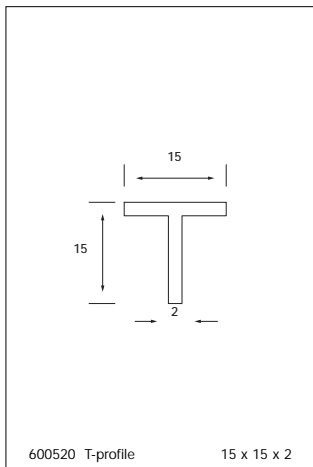
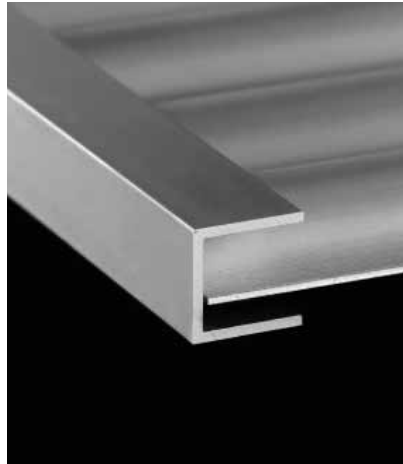
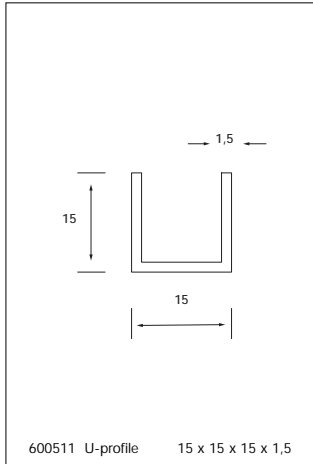
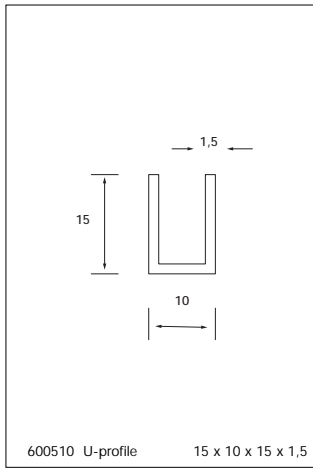


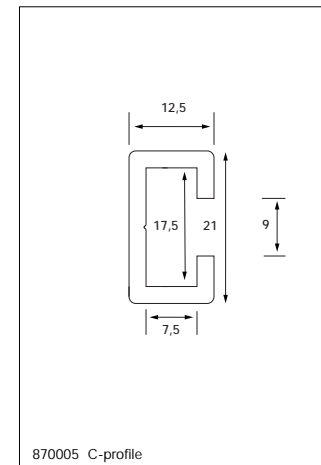
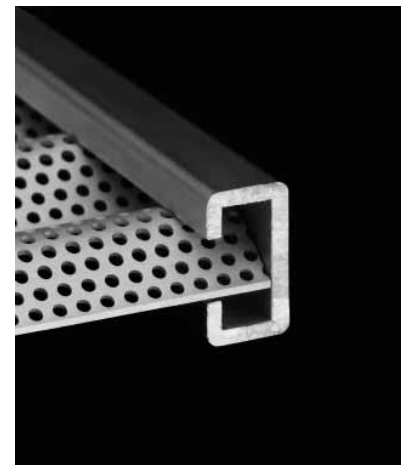
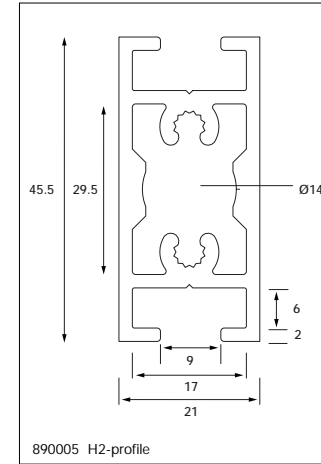
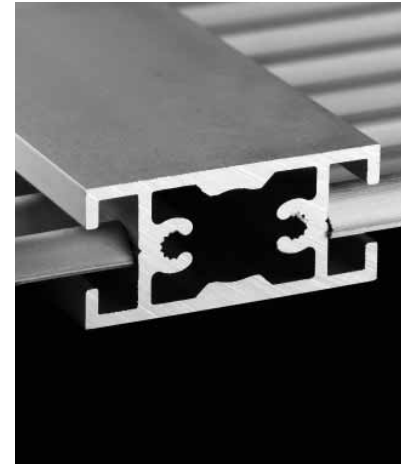
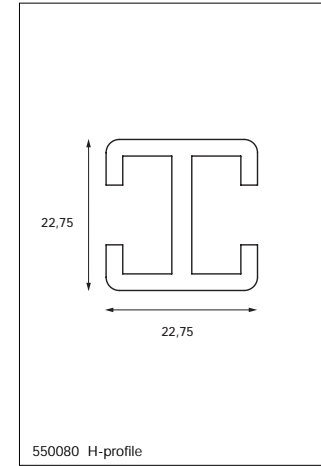
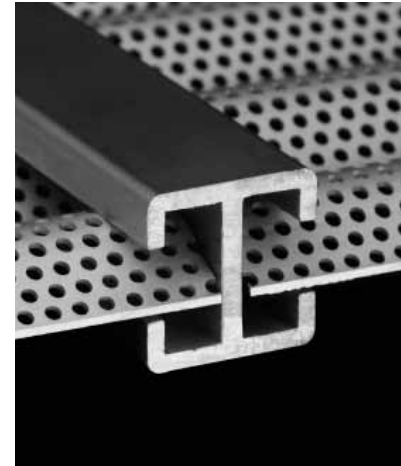
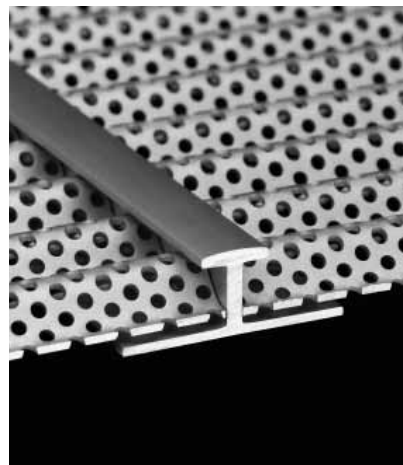
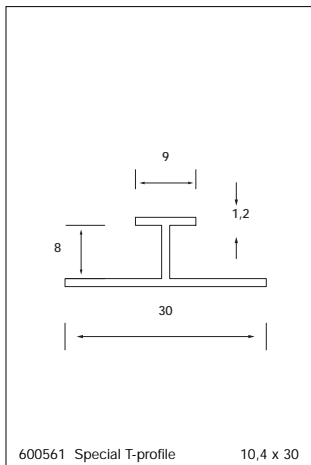
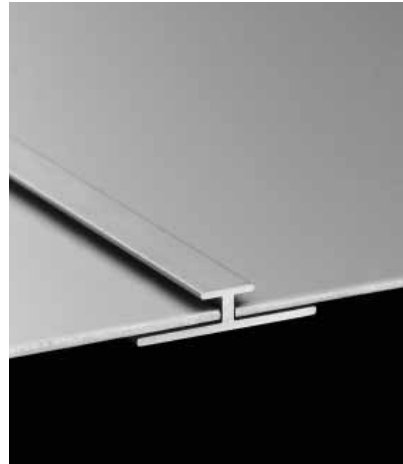
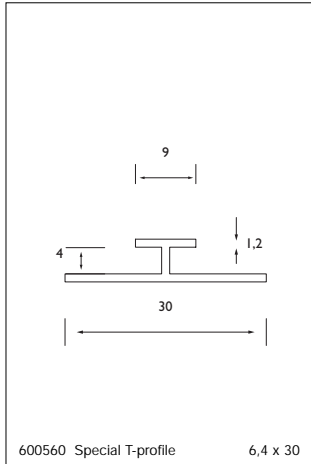
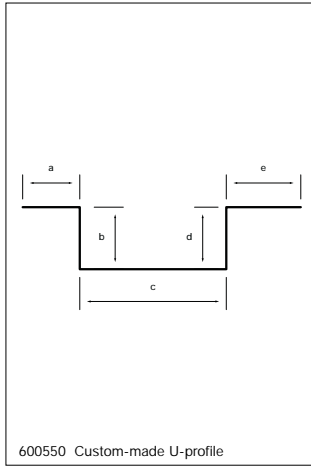
1:1

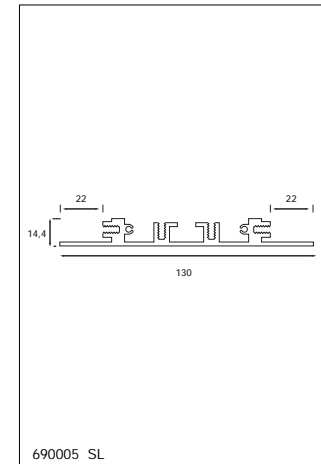
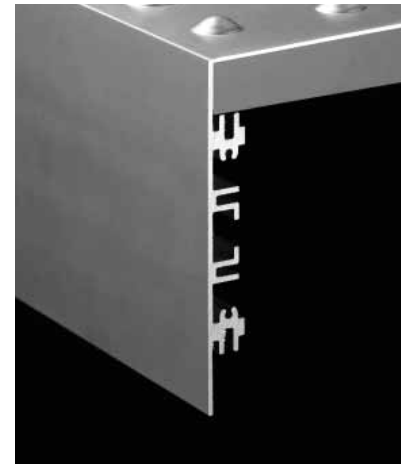
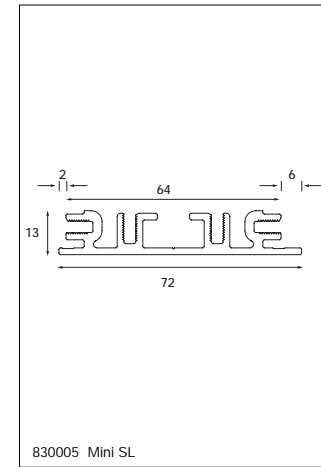
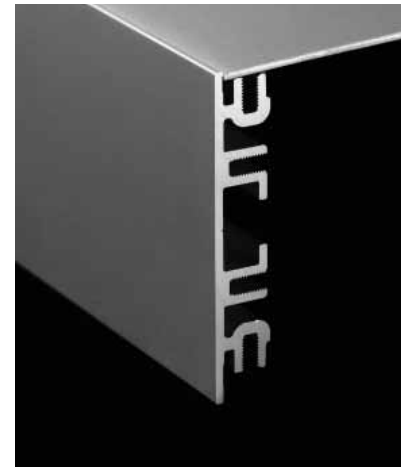
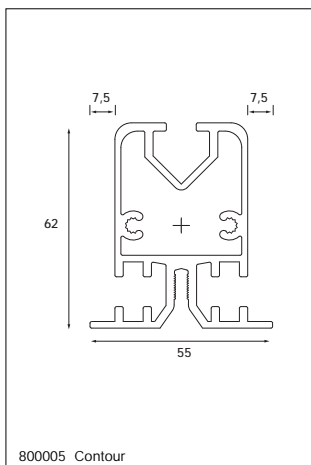
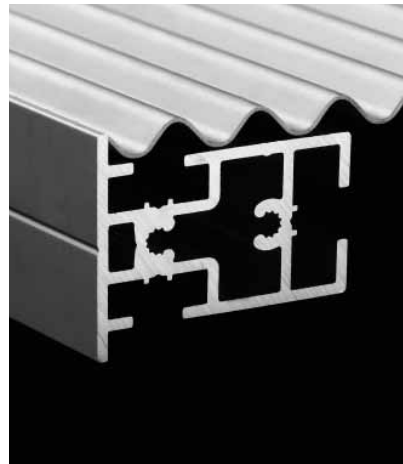
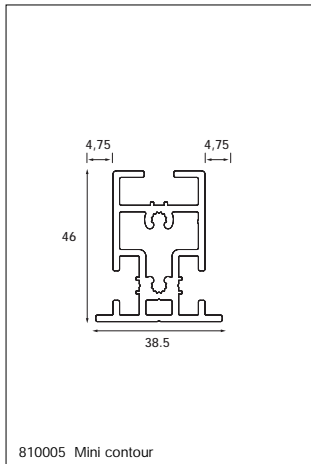
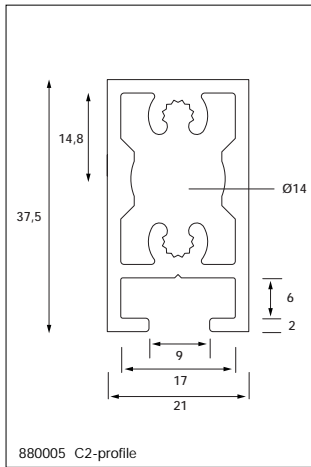
1:1

Material		Measurements		tolerances	
Material density		Length	: 4400 mm	± 200 mm	
Density per cm ³	: 1,14 g/cm ³	Width	: 2000 mm	± 10 mm	
Surface		Ridge height	: 4,5 mm	± 0,5 mm	
100% woodpulp		Ridge length	: 10 mm	± 0,5 mm	
Pressed/structured cellulose		Sheet thickness	: 1,25 mm	± 0,25 mm	
Treatment		Squareness	: -	± 0,3 % on L	
Process as wood, when coating use preferably aqueous products in thin layers. Always test first on samples!		Surface area	: ± 8,8 m ²	± 0,5 m ²	
Fire resistance		Weight	: 12 kg/pc (1,4 kg/m ²)		
: B2		No. of ridges	: 431 on 4,4 m		
Flammable (DIN 4102-1)		Parallelism of ridges	: ± 35mm / 500mm L		
Fire retarding product on request		Fold direction	: 2000 mm direction		
Usage		Treatments			
: Interior					
Packaging					
Packaged on roll 2020 x 280					
Storage					
Always store in dry areas					

Material		Measurements		tolerances	
Material density		Length	: 5200 mm	± 200 mm	
Density per cm ³	: 1,14 g/cm ³	Width	: 2000 mm	± 10 mm	
Surface		Ridge height	: 6,5 mm	± 0,5 mm	
100% woodpulp		Ridge length	: 20 mm	± 0,5 mm	
Pressed/structured cellulose		Sheet thickness	: 2,2 mm	± 0,25 mm	
Treatment		Squareness	: -	± 0,3 % on L	
Process as wood, when coating use preferably aqueous products in thin layers. Always test first on samples!		Surface area	: 10,4 m ²	± 0,5 m ²	
Fire resistance		Weight	: 24 kg/pc (2,3 kg/m ²)		
: B2		No. of ridges	: 265 on 5,2 m		
Flammable (DIN 4102-1)		Parallelism of ridges	: ± 35 mm / 500 mm L		
Fire retarding product on request		Fold direction	: 2000 mm direction		
Usage		Treatments			
: Interior					
Packaging					
Packaged on roll 2020 x 280					
Storage					
Always store in dry areas					

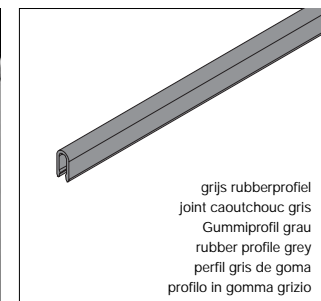


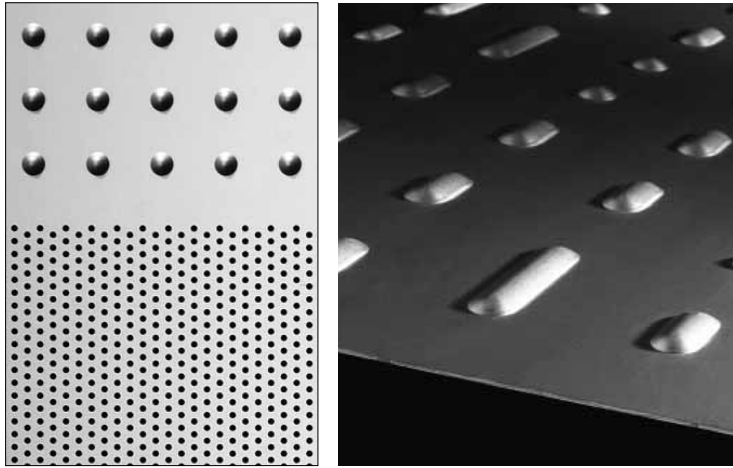




Other profile measurements can always be obtained upon request.

100114 **rubber** new

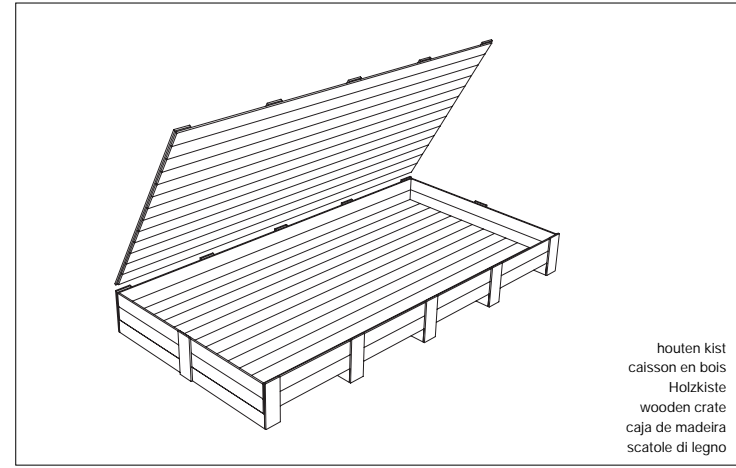




Studs

The studs can be placed randomly.
Completely new studs can also be manufactured (right).

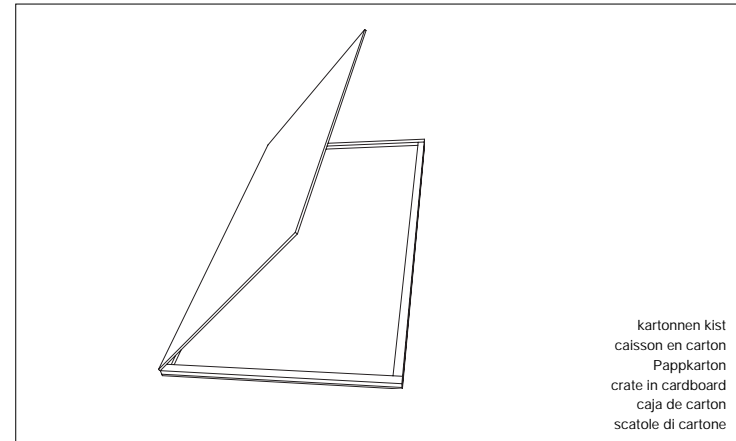
The different studs can be combined and distributed at specific positions over the sheet.
The perforated example combined with the studs clearly illustrates this (left).



houten kist
caisson en bois
Holzkiste
wooden crate
caja de madeira
scatole di legno

Measurements

601111	601112	601113
Length : 2585 mm	Length : 2085 mm	Length : 3360 mm
Width : 1335 mm	Width : 1090 mm	Width : 1270 mm
Total height : 290 mm	Total height : 255 mm	Total height : 315 mm
Weight : ±100 kg	Weight : ±80 kg	Weight : ±110 kg



kartonnen kist
caisson en carton
Pappkarton
crate in cardboard
caja de carton
scatole di cartone

Measurements

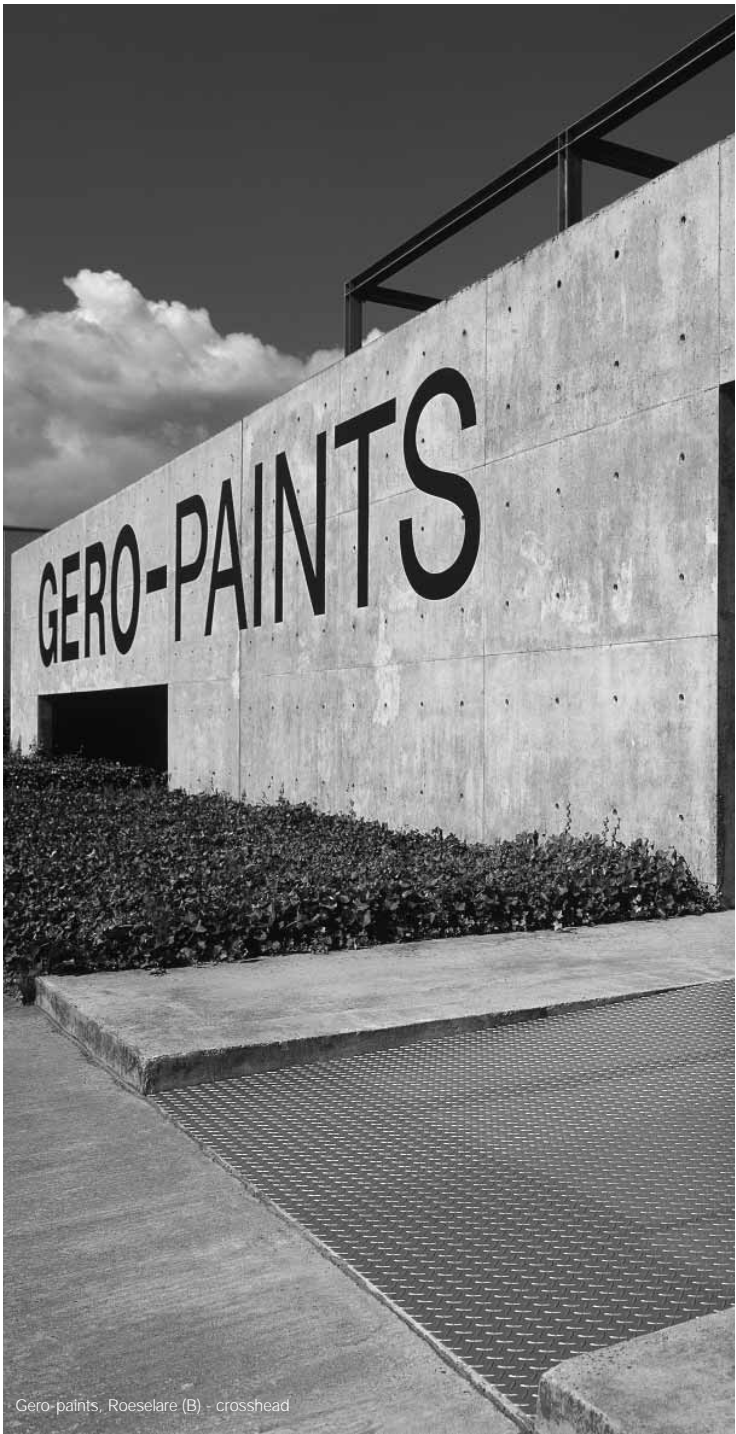
601114	601115	601116
Length : 2135 mm	Length : 2650 mm	Length : 3350 mm
Width : 1130 mm	Width : 1385 mm	Width : 1250 mm
Total height : 55 mm	Total height : 55 mm	Total height : 55 mm
Weight : ±15 kg	Weight : ±18 kg	Weight : ±20 kg



Bar Europshop, Dusseldorf (G) - maxi thepel



Burger King, Madrid (E) - slow wave



Gero-paints, Roeselare (B) - crosshead



Codesca, Barcelona (E)



Mediaplaza, Utrecht (NL) - mini thepel



Parconavi, Cattolica (I) - tricot



Yohji Yamamoto, Tokyo (J) - transistor

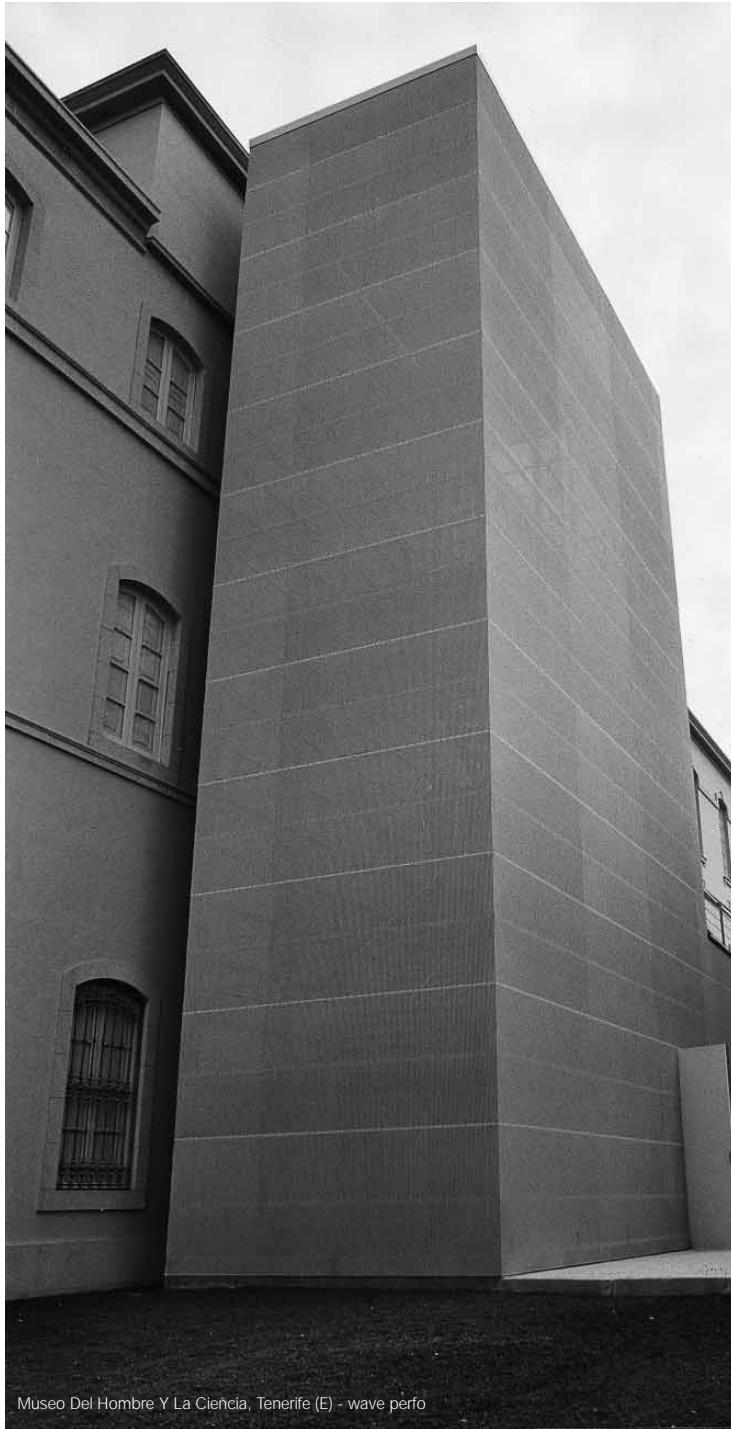


DDB, Tokyo (J) - thepel



Science museum, London (GB) - special/morse





Museo Del Hombre Y La Ciencia, Tenerife (E) - wave pèrfo



Museo Del Hombre Y La Ciencia, Tenerife (E) - crosshead

